



MRL-U series



DPSS LASER

All solid state laser is made features of ultra compact, long lifetime, high stability and reliability, which is used in scientific experiment, medical measurement, instrument, spectrum analysis, etc.



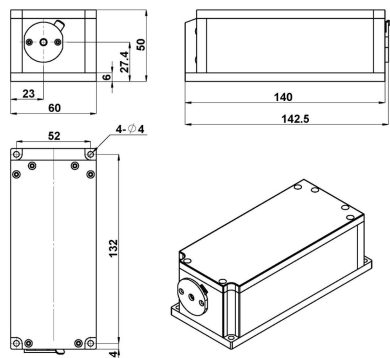
SPECIFICATIONS

Part number	MRL-U-671		
Wavelength (nm)	671±1		
Operating mode	CW		
Output power (mW)	200-300		300-500
Power stability (rms, over 4 hours)	<3%, <2%, <1%		<3%, <2%
Transverse mode	TEM ₀₀		
M ² factor	<1.2		
Beam diameter at the aperture (1/e ² , mm)	<1.0		
Beam divergence (mrad)	<1.5		
Polarization Ratio	>100:1, Vertical (Horizontal Optional)		
Warm-up time (minutes)	<5		
Pointing stability after warm-up (mrad)	<0.05		
Beam height from base plate (mm)	27.4		
Laser head consumption(W)	15 (typical) , <25 (40°C)		
Max. Laser Head Base plate Temp (°C)	50		
Operating Temperature (°C)	10-35		
Modulation optional	TTL on/off, 1Hz-1kHz, 1kHz-10kHz, 10kHz-30kHz; and Analog modulation optional		
Power supply (90-264VAC)	PSU-H-LED/PSU-H-FDA/PSU-SR		
Expected lifetime (hours)	10000		
Warranty	1 year		

Note: The laser head needs to be used on a heat sink with good heat dissipation.

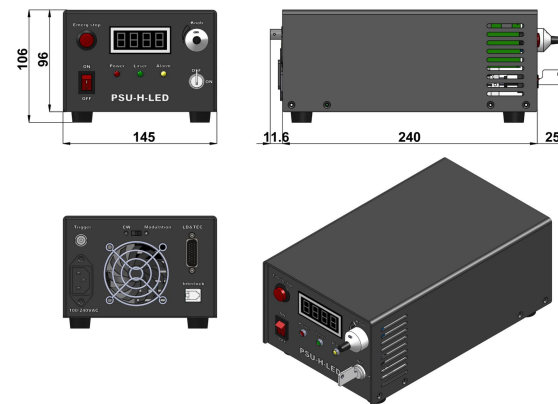


LASER HEAD



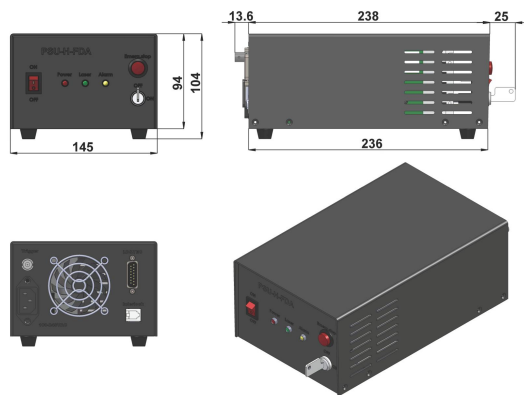
142.5 (L)×60(W)×50(H) mm³, 1.0 kg

POWER SUPPLY (PSU-H-LED)



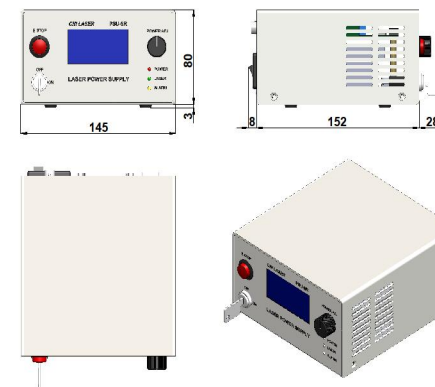
277 (L)×145(W)×106 (H) mm³, 2.6 kg

POWER SUPPLY (PSU-H-FDA)



276.6(L)×145(W)×103.6(H) mm³, 2.3 kg

POWER SUPPLY (PSU-SR)



188(L)×145(W)×83(H) mm³, 1.2kg