



MRL-U-xxx-SF series

LD PUMPED ALL-SOLID-STATE RED LASER

All solid-state CW mode laser is made features of ultra compact, easy operating, high power and stability, which is perfect for flow cytometry, spectrum analysis, microscopy, semiconductor inspection, cell sorting, optical instrument, physics experiment, etc.

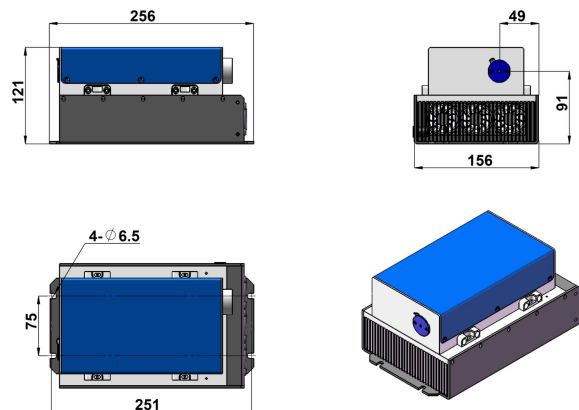


SPECIFICATIONS

Wavelength (nm)	612±1	613±1	618±1	627±2	631±2	689±1
Operating mode	CW					
Output power (mW)	1-100	1-100	1-50	1-200	1-200	1-200
Power stability (rms, over 4 hours)	<5%, <3%					
Transverse mode	Near TEM ₀₀					
Beam diameter at the aperture (1/e ² , mm)	~4					
Beam divergence, full angle (mrad)	<3					
Polarization Ratio	>100:1					
Cooled method	Fan Cooled/ Water Cooled					
Warm-up time (minutes)	<10					
Beam height from base plate (mm)	91@Fan Cooled/ 55@Water Cooled					
Operating temperature (°C)	15-30					
Power supply (90-264VAC)	PSU-W-FDA					
Expected lifetime (hours)	10000					
Warranty	1 year					

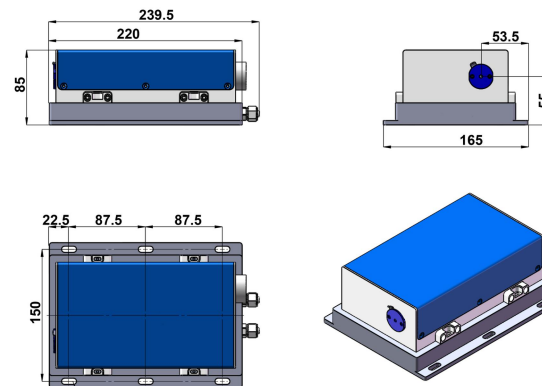


LASER HEAD (Fan Cooled)



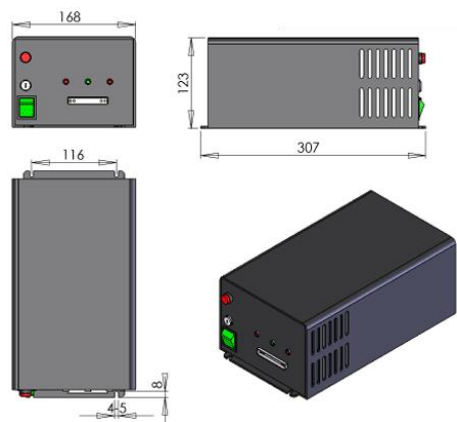
256(L)×156(W) ×121(H) mm³

LASER HEAD (Water Cooled)



239.5(L)×165(W) ×85(H) mm³

POWER SUPPLY (PSU-W-FDA)



307 (L) ×168(W) ×123(H) mm³, 4.5kg

WATER CHILLER



345 (L) ×248 (W) ×215(H) mm³, 10.5 kg