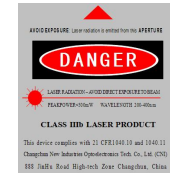


MRL-U-xxx-SU series



LD PUMPED ALL-SOLID-STATE LASER

All solid state laser is made features of high output power stability, good beam profile, ultra compact, long lifetime, low cost and easy operating, which is widely used in collimation, laser medical treatment, scientific experiment, optical instrument, etc.

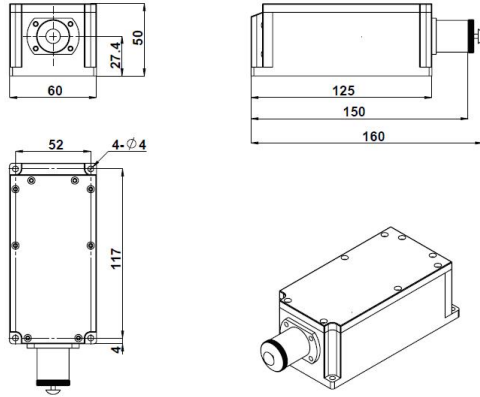


SPECIFICATIONS

Part number	MRL-U-607-SU	MRL-U-639-SU	MRL-U-721-SU
Wavelength (nm)	607±3	639±1	721±1
Operating mode	CW		
Output power (mW)	1-500	1-800	1-800
Power stability (rms, over 4 hours)	<3%, <2%, <1%, 0.5%		
Transverse mode	TEM ₀₀		Near TEM ₀₀
M ² factor	<1.2	<1.2, <1.1	<1.5
Beam diameter at the aperture (1/e ² , mm)	<1.0		
Beam divergence, full angle (mrad)	<1.5		
Polarization Ratio	>100:1, Vertical (Horizontal Optional)	>100:1, Horizontal (Vertical Optional)	>100:1, Vertical (Horizontal Optional)
Warm-up time (minutes)	<5		
Pointing stability after warm-up (mrad)	<0.05		
Beam height from base plate (mm)	27.4		
Operating Temperature (°C)	10-35		
Modulation optional	TTL on/off, 1Hz-1kHz, 1kHz-10kHz, 10kHz-30kHz; and Analog modulation optional		
Power supply (90-264VAC)	PSU-H-LED/PSU-H-FDA/PSU-SR		
Expected lifetime (hours)	10000		
Warranty	1 year		

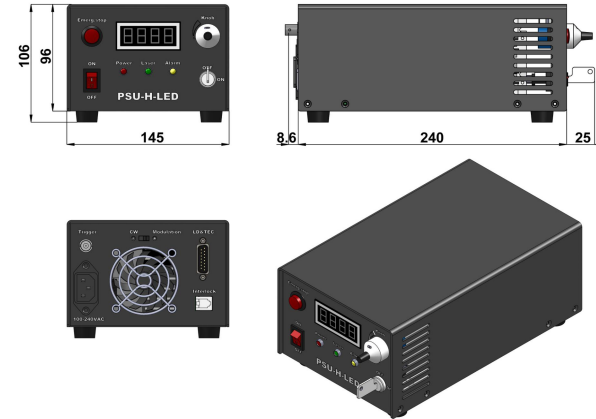
Note: The laser head needs to be used on a heat sink with good heat dissipation.

LASER HEAD



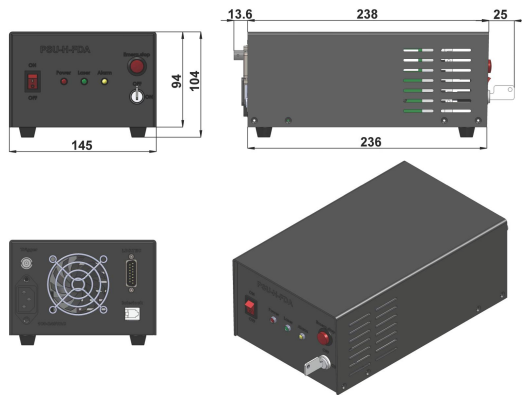
160(L)×60(W)×50(H) mm³, 0.9kg

POWER SUPPLY (PSU-H-LED)



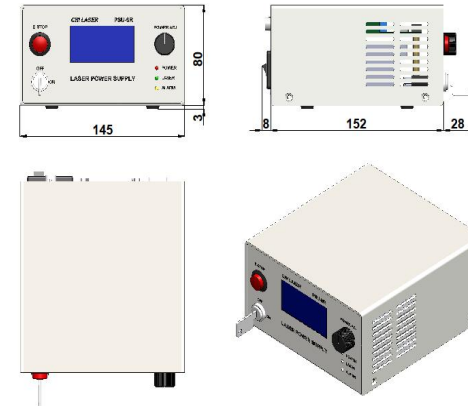
273.6 (L) ×145(W) ×106 (H) mm³, 2.3 kg

POWER SUPPLY (PSU-H-FDA)



276.6(L) ×145(W) ×103.6(H) mm³, 2.3 kg

POWER SUPPLY (PSU-SR)



188(L) ×145(W) ×83(H) mm³, 1.2kg