

MSII-W-405/589/1~100mW

Multi-wavelengths Laser System
AT 405&589nm

It can emit up to two wavelengths from one aperture and with separate power monitors for each wavelength. They are widely used for life sciences, fluorescence, spectral analysis, optogenetics.

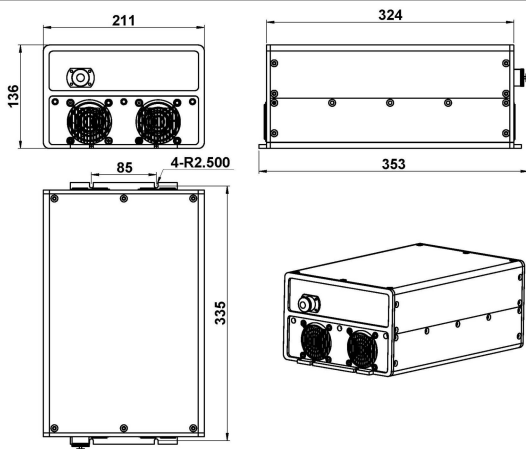


SPECIFICATIONS

Wavelength (nm)	Violet at 405nm ,Yellow at 589nm
Operating mode	CW
Total output power (mW)	>1, 10,20, ..., 100
Power stability (rms, over 4 hours)	<5%, <3%, <2%
Transverse mode	Near TEM ₀₀ / TEM ₀₀
Beam diameter at the aperture (mm)	~2.5
Beam divergence, full angle (mrad)	<1.5
Warm-up time (minutes)	<10
Operating temperature (°C)	10~35
Power supply (100-240VAC)	RGB-31
Modulation optional	TTL on/off, 1Hz-1kHz, 1kHz-10kHz, 10kHz-30kHz; and Analog modulation optional
Expected lifetime (hours)	10000
Warranty	1 year

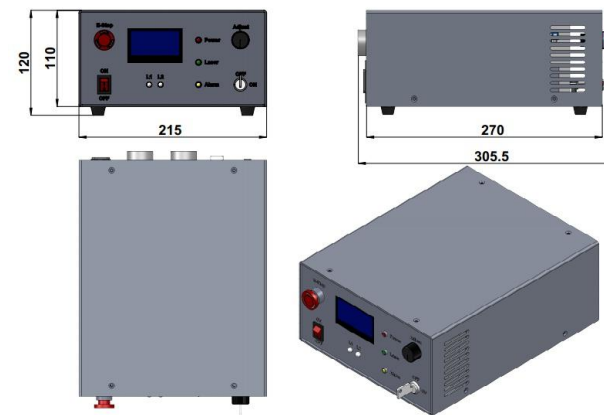


MSII-W-405/589



353(L) × 211(W) × 136(H) mm³, 13.0kg

RGB-31



305.5 (L) × 215(W) × 120 (H) mm³, 5.0kg