

MSIV-F-642/589/532/473/1~60mW

SPECIFICATIONS

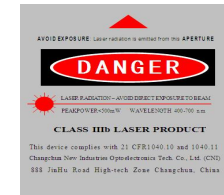


Multi-line Fiber Coupled Laser System AT 642&589&532&473nm

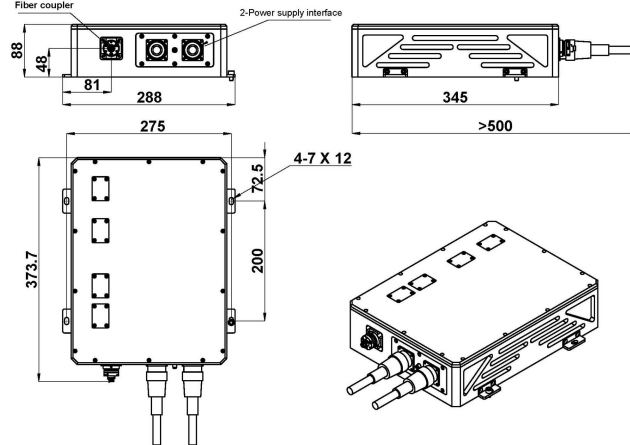
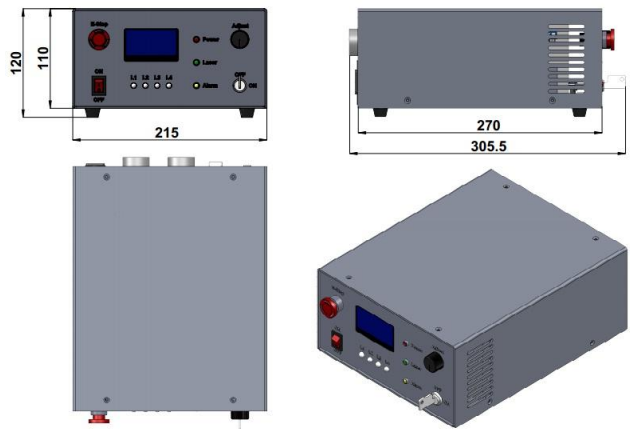
It can provide various kinds of colors, such as red, orange, green, etc. They are widely used for fluorescence microscopy, flow cytometry, confocal microscopy and optogenetics.



Wavelength (nm)	Red at 642nm, Yellow at 589nm , Green at 532nm, Blue at 473nm
Operating mode	CW
Total output power after fiber (mW)	>1,10, 20,..., 60
Power stability (rms, over 4 hours)	<5%, <3%, <2%
Fiber Core Diameter(μm)	Single mode
Fiber Connector	FC
Fiber length (m)	1 (Other lengths are available on request)
Warm-up time (minutes)	<10
Operating temperature (°C)	10~35
Power supply (100-240VAC)	RGB-41
Modulation optional	TTL on/off, 1Hz-1kHz, 1kHz-10kHz, 10kHz-30kHz; and Analog modulation optional
Expected lifetime (hours)	10000
Warranty	1 year



Note: Customized sizes are available to different wavelength combinations and output powers.

MSIV-F-642/589/532/473	RGB-41
 <p>373.7(L) × 288(W) × 88(H) mm³, 14.0kg</p>	 <p>305.5(L) × 215(W) × 120(H) mm³, 5.0kg</p>