



MSL-F-532/400~700mW

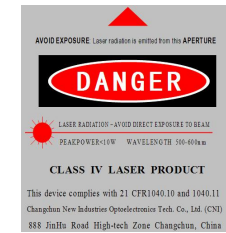
**SINGLE LONGITUDINAL MODE
GREEN LASER AT 532 nm**

All solid state single longitudinal mode green laser at 532 nm is made features of ultra compact, long lifetime, low cost and easy operating, which is used in DNA sequencing, flow cytometry, cell sorting, optical instrument, spectrum analysis, interference, measurement, holography, brillouin scattering, physics experiment, etc.

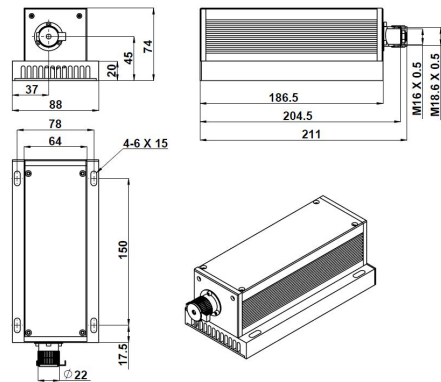


SPECIFICATIONS

Wavelength (nm)	532±1	
Operating mode	CW	
Output power (mW)	>400, 600, ... , 500	500, ... , 700
Power stability (rms, over 4 hours)	<1%, <2%, <3%, <5%	<2%, <3%, <5%
Transverse mode	TEM ₀₀	
Longitudinal mode	Single	
Spectral line width (nm)	<0.00001	
Coherent length (m)	>50	
Noise of amplitude (rms, 1Hz~20MHz)	<1%, typical<0.5%	
M ² factor	<1.5	
Beam diameter at the aperture (1/e ² , mm)	<2.5	
Beam divergence, full angle (mrad)	<1.2	
Polarization ratio	>100:1, Vertical±5 degree (Horizontal Optional)	
Warm-up time (minutes)	<10	
Pointing stability after warm-up (mrad)	<0.05	
Beam height from base plate (mm)	45	
Operating temperature (°C)	15~35	
Power supply (90-264VAC)	PSU-H-FDA	
Expected lifetime (hours)	10000	
Warranty	1 year	

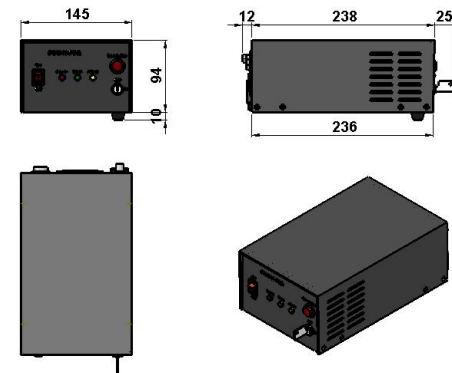


MSL-F-532



211(L)×88(W)×74(H) mm³, 1.6 kg

PSU-H-FDA



275(L)×145(W)×104(H) mm³, 2.3 kg