

MSL-F-577/1-300mW



**SINGLELONGITUDINALMODE
YELLOW LASER at 577nm**

All solid state 577nm yellow laser is made features of ultra compact, long lifetime, cost-effectiveness and easy operating, which is widely used in collimation, laser medical treatment, scientific experiment, optical instrument, laser display, brillouin scattering, laser lighting show, etc.

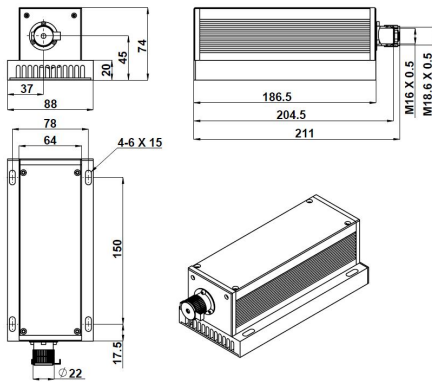


SPECIFICATIONS

Central wavelength (nm)	577±2	
Operating mode	CW	
Output power (mW)	>10, 20, 50, ..., 200	>200, ..., 300
Power stability (rms, over 4 hours)	<1%, <2%, <3%	<2%, <3%, <5%
Transverse mode	TEM ₀₀	
Longitudinal mode	Single	
Spectral linewidth (nm)	<0.00001	
Coherent length (m)	>50	
Noise of amplitude (rms, 1Hz~20MHz)	<1%, typical<0.5%	
M ² factor	<1.5	
Beam diameter at the aperture (1/e ² ,mm)	~2.5	
Beam divergence, full angle (mrad)	<1.5	
Beam height from base plate (mm)	45	
Polarization ratio	>100:1 Horizontal±5 degree (Vertical Optional)	
Warm-up time (minutes)	<10	
Pointing stability after warm-up (mrad)	<0.05	
Operating temperature (°C)	10~35	
Power supply (90-264VAC)	PSU-H-FDA	
Expected lifetime (hours)	10000	
Warranty period	1 year	

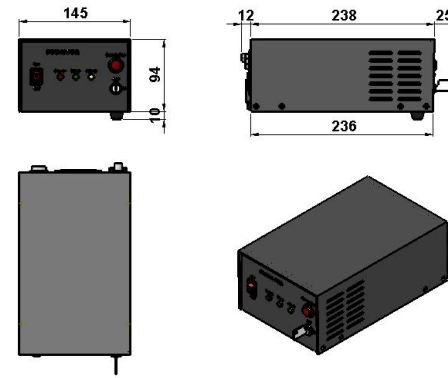


MSL-F-577



211 (L) × 88 (W) × 74 (H) mm³, 1.6 kg

PSU-H-FDA



275 (L) × 145 (W) × 104 (H) mm³, 2.3 kg