

MSL-III-785L/1~80mW

SPECIFICATIONS



**SINGLE LONGITUDINAL
MODE INFRARED DIODE
LASER AT 785nm**

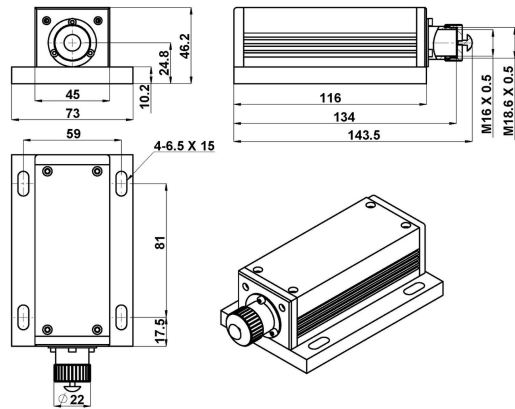
It features ultra compact design, long lifetime, cost-effectiveness and easy operation. They are used in Raman spectroscopy, speckle interferometry, bio-instrumentation, metrology, sensing, analytical instrumentation.



| | |
|--|---|
| Central wavelength (nm) | 785±1 |
| Operating mode | CW |
| Output power (mW) | > 10, 20, ..., 80 |
| Power stability (rms, over 4 hours) | <3%, <2%, <1% |
| Transverse mode | Near TEM ₀₀ |
| Longitudinal mode | Single |
| Spectral linewidth (MHz) | <100 (<50, optional) |
| Coherent length (m) | >2 |
| M ² factor | <1.5 |
| Beam diameter at the aperture (1/e ² ,mm) | ~1.0 |
| Beam divergence, full angle (mrad) | ~2.0 |
| Polarization ratio | >50:1 (>100:1, optional) Horizontal±5 degree (Vertical Optional) |
| Warm-up time (minutes) | <5 |
| Beam height from base plate (mm) | 24.8 |
| Operating temperature (°C) | 10~35 |
| Power supply (85-264VAC) | PSU-III-FDA |
| Expected lifetime (hours) | 10000 |
| Warranty | 1 year |

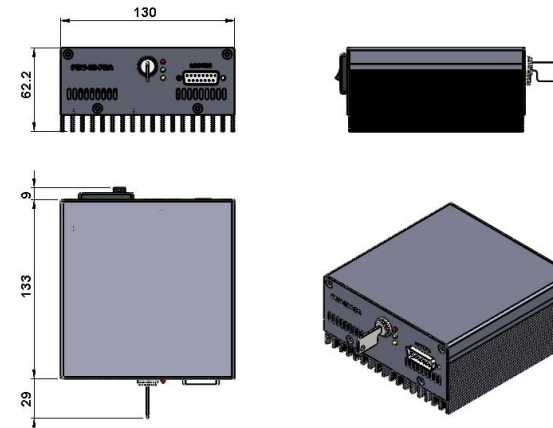


MSL-III-785L



143.5(L)×73(W)×46.2(H) mm³, 0.7kg

PSU-III-FDA



171(L)×130(W)×62.2(H) mm³, 1.2kg