



OEM-BD-635 15-20W

RED DIODE LASER
At 635nm

OEM diode red laser at 635nm is made features of ultra compact, long lifetime, low cost and easy operating, which is widely used in measurement, spectrum analysis, laser lighting show, etc.

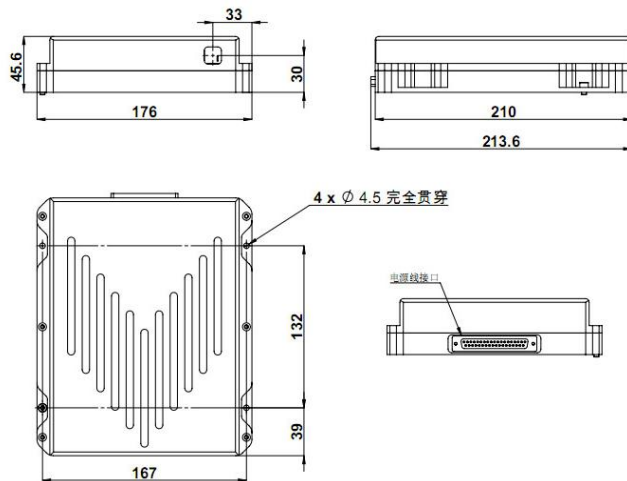


SPECIFICATIONS

Wavelength (nm)	635±5	
Output power (W)	15-20	
Beam diameter at the aperture (mm)	8.5×9	
Beam divergence, full angle (mrad)	~1.8	
Power stability (rms, over 4 hours)	<1%, <3%, <5%	
Polarization direction	Horizontal+ Vertical	
Warm-up time (minutes)	<5	
Beam height from base plate (mm)	30 (OEM-BD-635)	93.5(BD-635-HS)
Operating temperature (°C)	25+/-3 (OEM-BD-635)	15-35(BD-635-HS)
Power supply (90-264VACor12V20A)	PSU-PN7-OEM / PSU-PN7-OEM-H	
Modulation option	TTL/Analog 1Hz-5KHz, 1Hz-10KHz, 1Hz-100KHz, and TTL on/off	
Expected lifetime (hours)	10000	
Warranty	1 year	



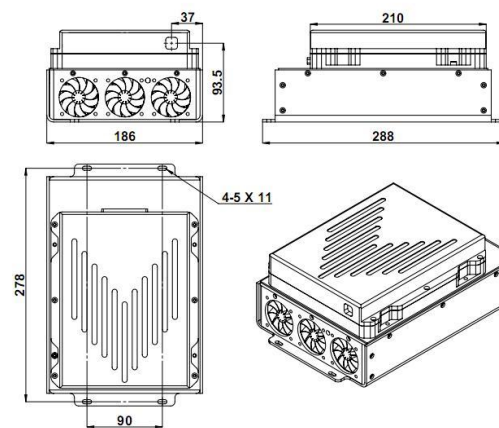
Dimensions of Laser head



OEM-BD-635

213.6(L)×176(W)×45.6(H)mm³

Dimensions of Laser head

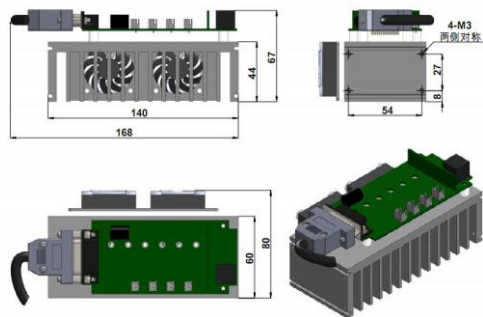


BD-635-HS

288(L)×186(W)×115.3(H)mm³



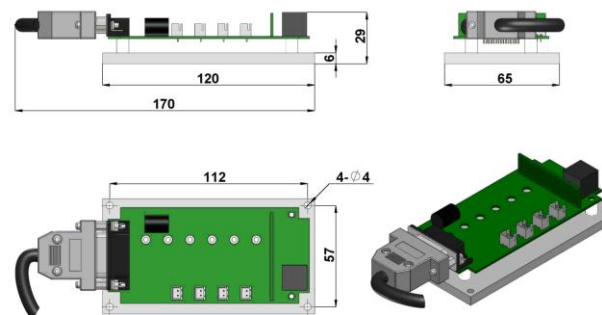
Power Supply



PSU-PN7-OEM (TWO PCS)

140(L)×80(W)×67(H) mm³, 0.3 kg

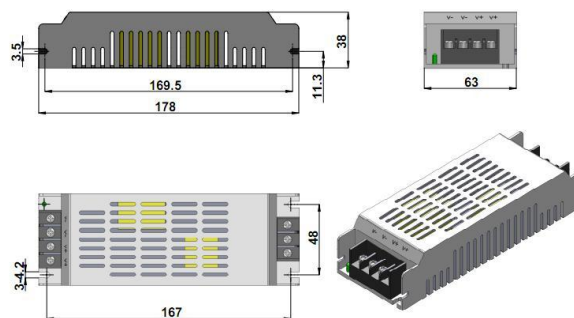
Power Supply



PSU-PN7-OEM (TWO PCS)

120(L)×65(W)×29(H) mm³, 0.3 kg

Adapter



178(L)×63(W)×38(H)mm³

12V20A