



OEM-KD-455 20~30W

BLUE DIODE LASER
At 455nm

OEM diode blue laser at 455nm is made features of ultra compact, long lifetime, low cost and easy operating, which is widely used in measurement, spectrum analysis, laser lighting show, etc.

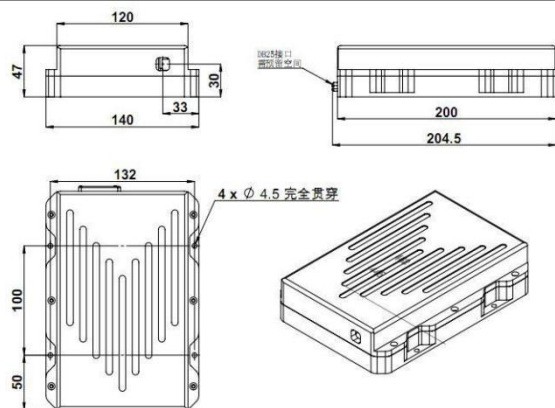


SPECIFICATIONS

Wavelength (nm)	455±5	
Output power (W)	20,25,30,	
Beam diameter at the aperture (mm)	6.5×7	
Beam divergence, full angle (mrad)	~1.2	
Power stability (rms, over 4 hours)	<1%, <3%, <5%	
Polarization direction	Horizontal+ Vertical	
Warm-up time (minutes)	<5	
Beam height from base plate (mm)	30 (OEM-KD-455)	93.5(KD-455-HS)
Operating temperature (°C)	25+/-3 (OEM-KD-455)	15-35(KD-455-HS)
Power supply (90-264VACor12V20A,24V20A)	PSU-PN7-OEM	PSU-PN7-OEM-H
Modulation option	TTL/Analog 1Hz-5KHz, 1Hz-10KHz, 1Hz-100KHz, and TTL on/off	
Expected lifetime (hours)	10000	
Warranty	1 year	



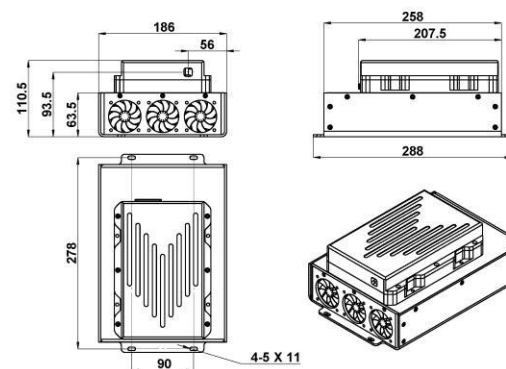
Dimensions of Laser head



OEM-KD-455

204.5(L)×140(W)×47(H)mm³

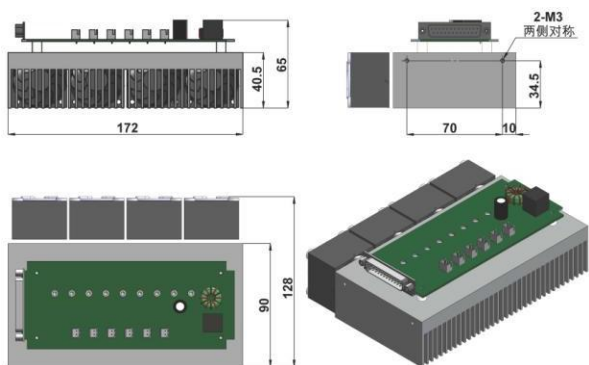
Dimensions of Laser head



KD-455-HS

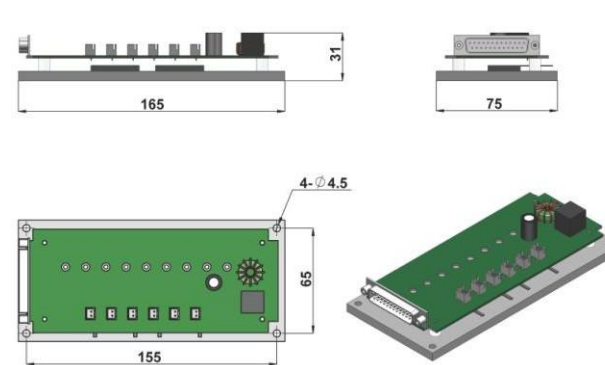
288(L)×186(W)×110.5(H)mm³

Power Supply



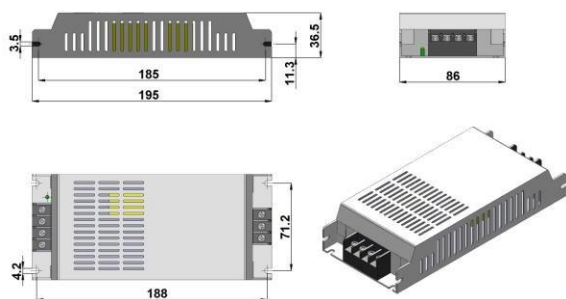
PSU-PN7-OEM-H
172(L)×128(W)×65(H)mm³

Power Supply

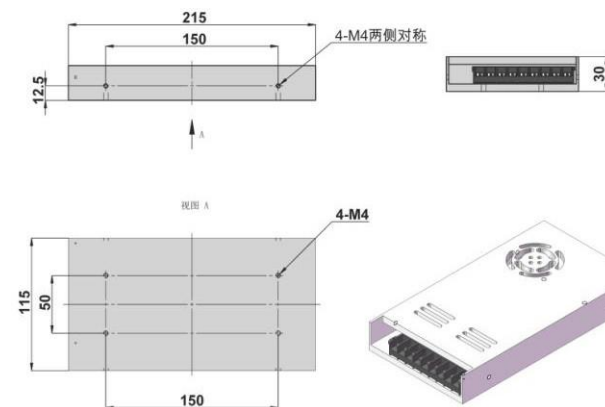


PSU-PN7-OEM
165(L)×75(W)×31(H)mm³

Adapter



12V30A (20W-25W)
195(L)×86(W)×36.5(H)mm³



12V30A (30W)