



OEM-S-XXX-MD series

LD PUMPED ALL-SOLID-STATE LASER

All solid state laser is made features of high output power stability, good beam profile, ultra compact, small size, wide operating temperature, good sealing, long lifetime, cost-effectiveness and easy operating, working under the pressure of 0.02kPa, which is widely used in collimation, laser medical treatment, scientific experiment, optical instrument, laser display, laser lighting show, etc.

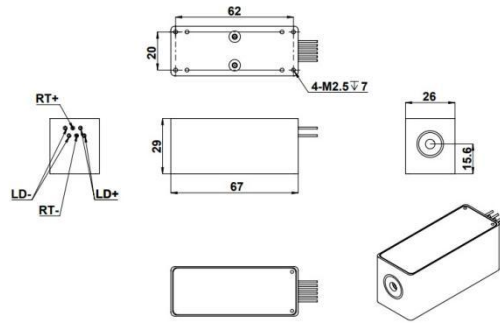


SPECIFICATIONS

Central wavelength (nm)	561±5	577±2	589±2
Operating mode	CW		
Output power (mW)	1-800	1-1000	1-800
Power stability (rms, over 4 hours)	<5%		
Beam mode longitudinal	Multimode		
Transverse mode	TEM _{n1}		
Beam diameter at the aperture (1/e ² , mm)	<1.5		
Beam divergence, full angle (mrad)	<30		
Warm-up time (minutes)	<10		
Polarization Ratio	>70:1, Vertical (Horizontal Optional)	>100:1, Vertical (Horizontal Optional)	
Beam height from base plate (mm)	15.6		
Maximum Current(mA)	10000		
Operating Voltage(V)	2±0.1		
Thermistor resistance	10kΩ@25°C		
Power Consumption(W)	<20		
Storage Temperature(°C)	0-60		
Expected lifetimes(hours)	10000		

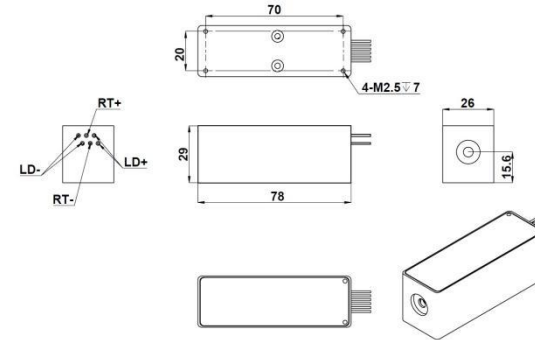


LASER HEAD(OEM-S-577-MD)



67(L)×26(W)×29(H) mm³

LASER HEAD(OEM-S-561/589-MD)



78(L)×26(W)×29(H) mm³