

OEM-XD-637/3-4W

**OEM RED DIODE LASER  
AT 637NM**

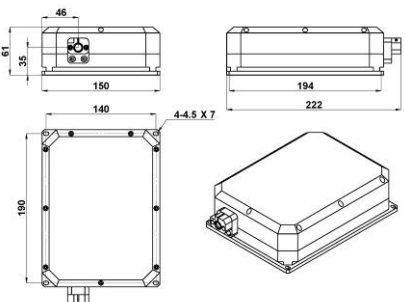
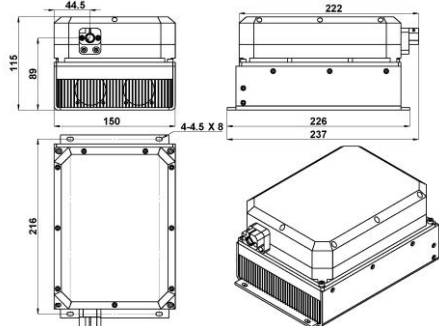
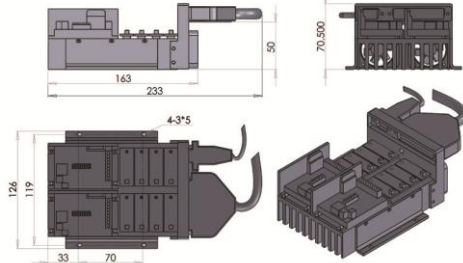
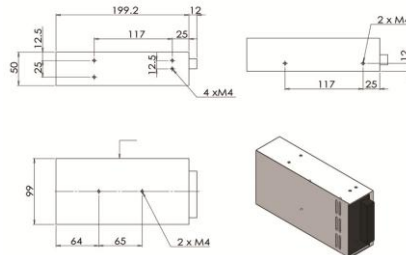
OEM diode laser 637 nm red laser is made features of ultra compact, long lifetime, low cost and easy operating. It's easy to be installed in customer's equipment.



**SPECIFICATIONS**

Wavelength (nm)	637±5	
Operating mode	CW	
Output power (W)	3, 4	
Power stability (rms, over 4 hours) at 25℃	<1%, <3%, <5%	
Beam diameter at the aperture (1/e <sup>2</sup> , mm)	5×4	
Beam divergence, full angle (mrad)	<2.6×1.2	
Polarization direction	Horizontal+ Vertical	
Warm-up time (minutes)	<5	
Beam height from base plate (mm)	35 (OEM-XD-637)	89 (XD-637-HS)
Operating temperature (℃)	25+/-3 (OEM-XD-637)	10-35 (XD-637-HS)
Power supply(100-240VAC or 24VDC)	PSU-XD-OEM	
Expected lifetime (hours)	10000	
Modulation option	TTL/Analog 1Hz-5KHz, 1Hz-10KHz, 1Hz-30KHz, and TTL on/off	
Warranty time	1 Year	



OEM-XD-637	XD-637-HS	PSU-XD-OEM	Adapter
 <p>222(L)×150(W) ×60(H) mm<sup>3</sup>, 5kg</p>	 <p>237(L)×150(W) ×115(H) mm<sup>3</sup>, 6.8kg</p>	 <p>233(L)×126(W) ×70.5(H) mm<sup>3</sup>, 1 kg</p>	 <p>211.2(L)×99(W) ×50(H) mm<sup>3</sup>, 1 kg</p>