



PGL-FS-1064



All solid state infrared laser module at 1064nm is made features of ultra compact, long lifetime, low cost and easy operating, which made it be used widely in collimation, laser medical treatment, scientific experiment, optical instrument, etc.

SYSTEM SPECIFICATIONS*

Wavelength	nm	1064
Wavelength tolerance	nm	±1
Output power	mW	1-500
Power stability(rms, over 4 hours)		<20%, <10%, <5%
Operating mode		CW
Transverse mode		TEM ₀₀
Beam diameter at the aperture(1/e ²)	mm	~1.5
Beam divergence, full angle	mrad	<1.2
Warm-up time	minutes	<10
Beam height from base plate	mm	15
Expected lifetime	hours	10,000
Warranty	months	6

ELECTRICAL SPECIFICATIONS

Operating voltage(PSU-V-OEM)	100-240VAC
Operating voltage(PSU-I-OEM)	5/12VDC
Connection	9 pin connector

ENVIRONMENTAL CONDITIONS

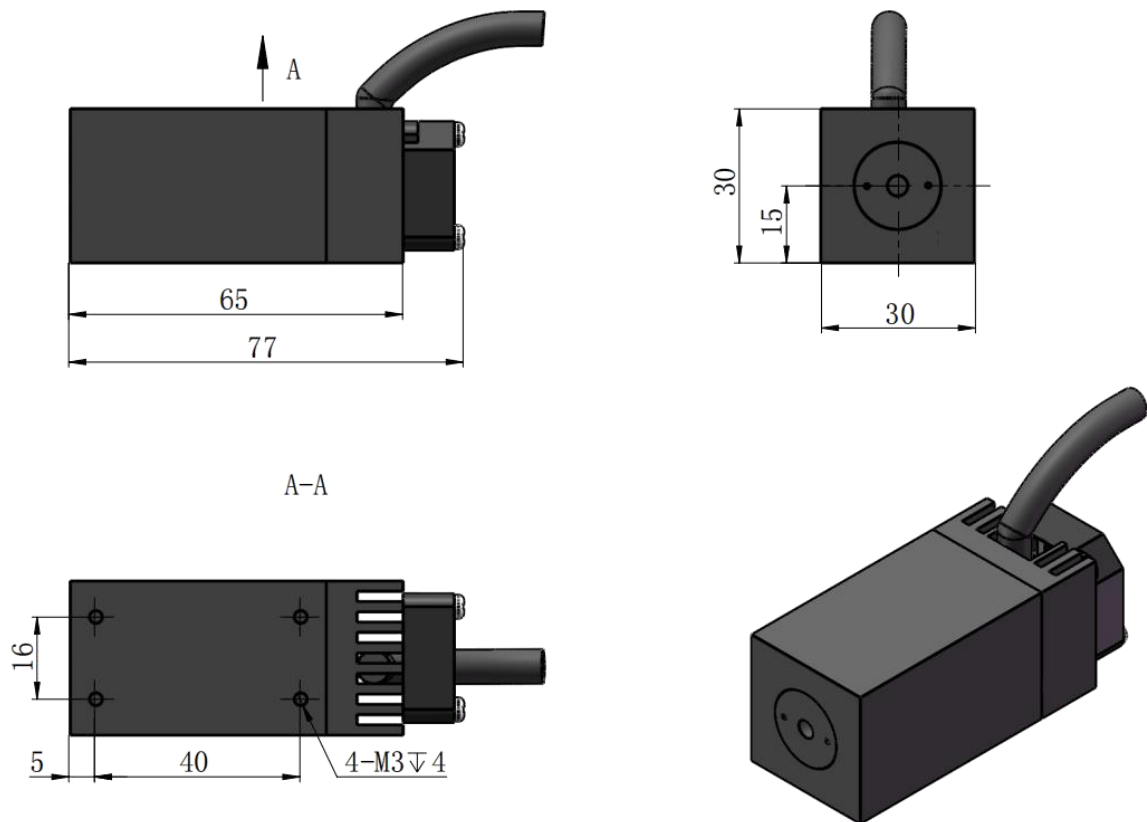
Operating temperature	10°C to 40°C
Storage temperature	-20°C to 80°C
Humidity	< 90%, non-condensing

MECHANICAL SPECIFICATIONS

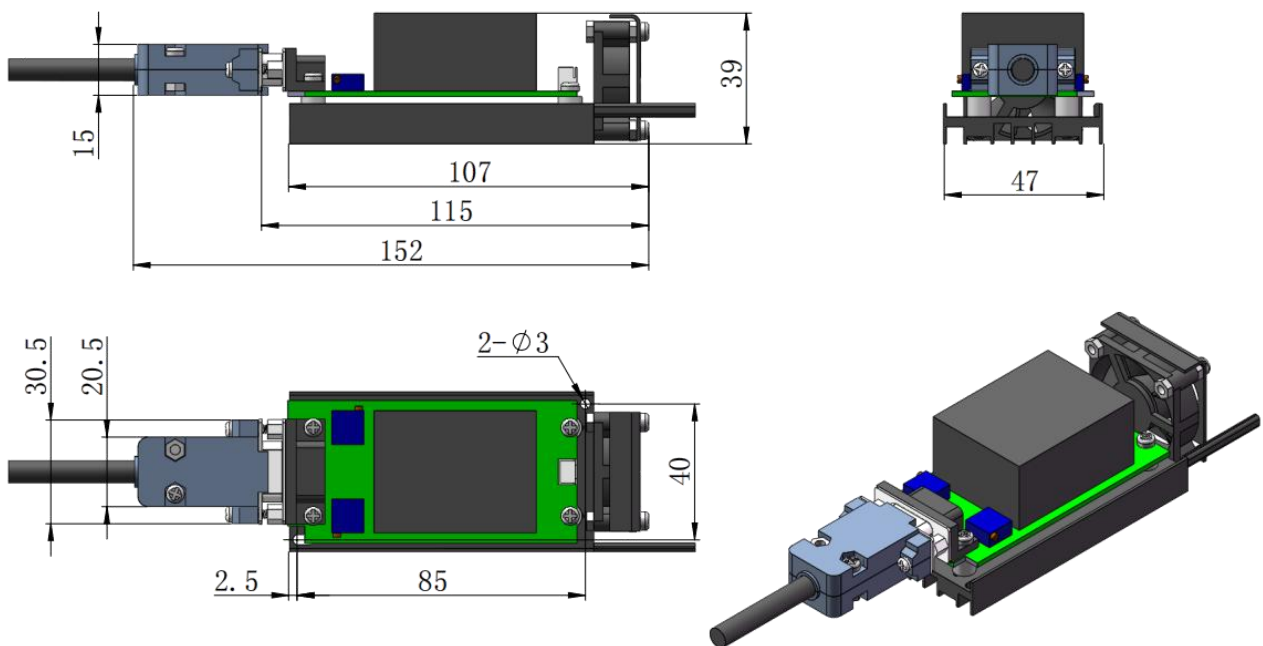
Dimensions of laser head	77(L)×30(W)×30(H)mm ³
Material	Aluminum

*All testing data under the conditions of temperature 25°C.

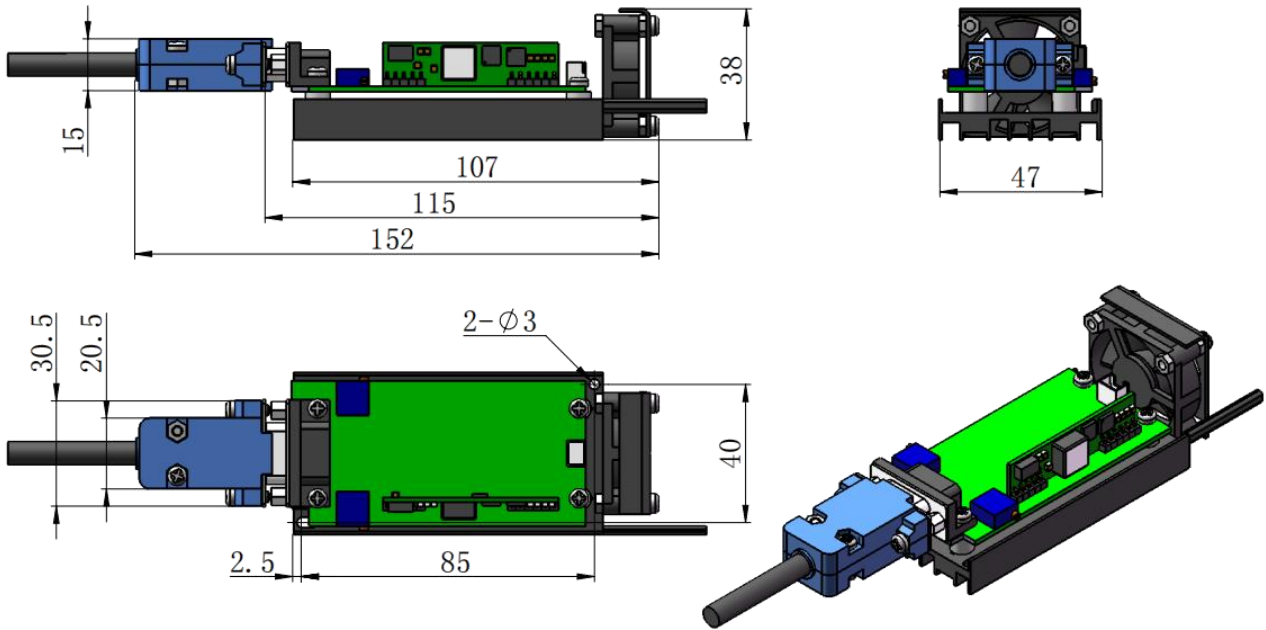
Dimensions of laser head(77×30×30mm³)



Dimensions of PSU-V-OEM power supply(107×47×39mm³, 100-240VAC)



Dimensions of PSU-I-OEM power supply(107×47×38mm³, 5/12VDC)



Dimensions of PSU-V-OEM and PSU-I-OEM power supply with dust cover(110×70×47mm³)

