



中国长春新兴产业光电技术有限公司  
Changchun New Industries Optoelectronics Tech. Co., Ltd

## PGL-FS-405



Diode laser module at 405 nm is made features of ultra compact, long lifetime, low cost and easy operating, which made it be used widely in laser pointing, show and light applications. High quality beam properties make it useful in RGB mixed laser systems.

### SYSTEM SPECIFICATIONS\*

Wavelength	nm	405
Wavelength tolerance	nm	±5
Output power	mW	1-150
Power stability(rms, over 4 hours)		<5%, <3%, <1%
Operating mode		CW
Transverse mode		Near TEM <sub>00</sub>
Beam diameter at the aperture(1/e <sup>2</sup> )	mm	~4.5
Beam divergence, full angle	mrad	<0.5
Warm-up time	minutes	<10
Beam height from base plate	mm	15
Expected lifetime	hours	10,000
Warranty	months	6

### ELECTRICAL SPECIFICATIONS

Operating voltage(PSU-V-OEM)	100-240VAC (TTL30kHz and Analog 0-5V)
Operating voltage(PSU-I-OEM)	12VDC (TTL30kHz and Analog 0-5V)
Connection	9 pin connector

### ENVIRONMENTAL CONDITIONS

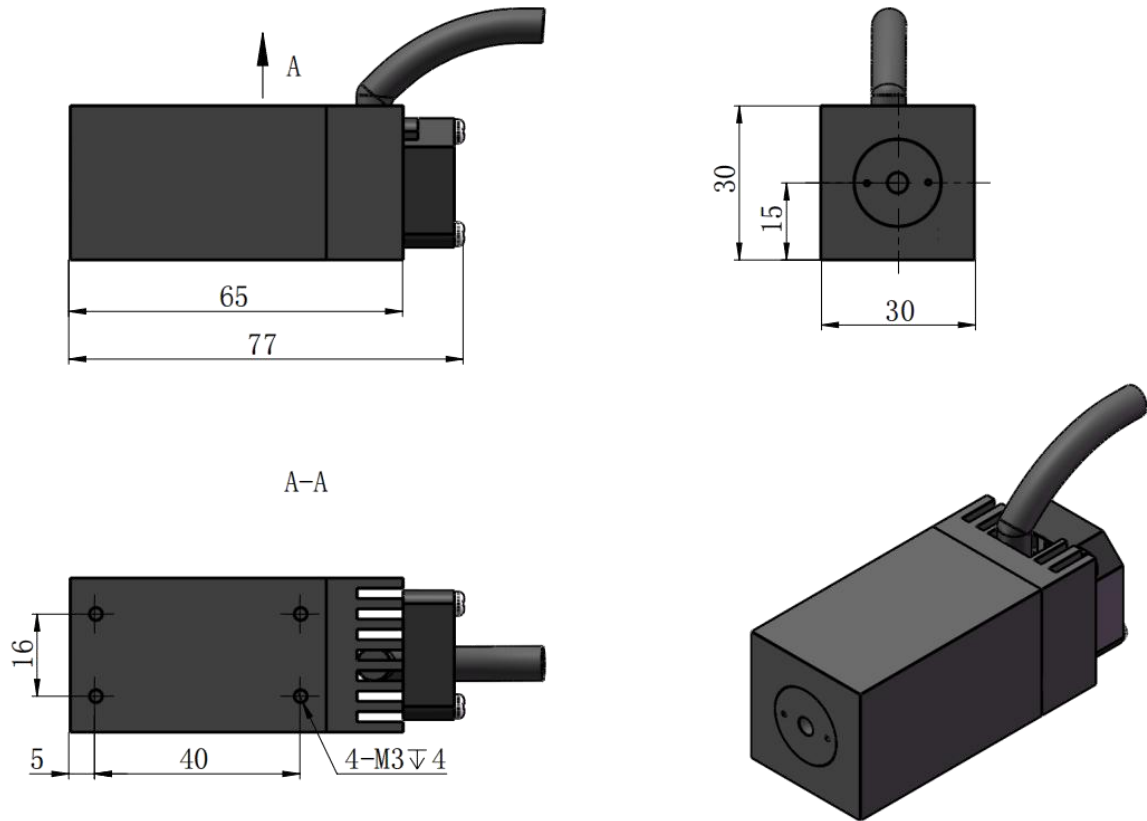
Operating temperature	-10°C to 50°C
Storage temperature	-20°C to 80°C
Humidity	< 90%, non-condensing

### MECHANICAL SPECIFICATIONS

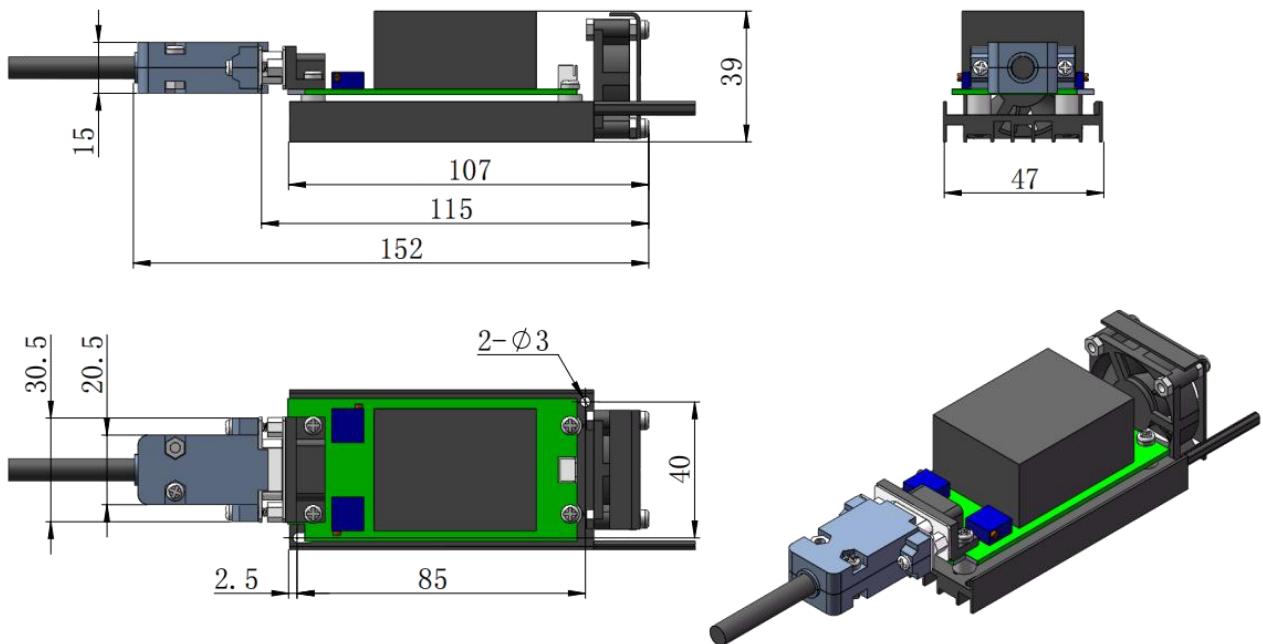
Dimensions of laser head	77(L)×30(W)×30(H)mm <sup>3</sup>
Material	Aluminum

\*All testing data under the conditions of temperature 25°C.

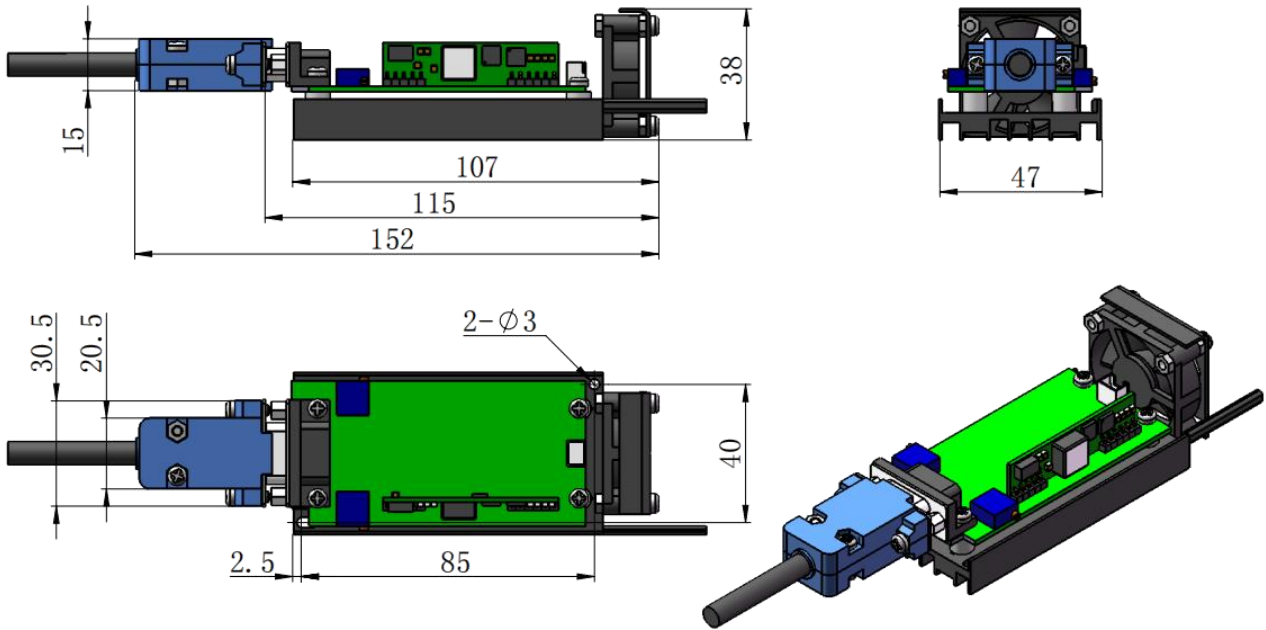
Dimensions of laser head(77×30×30mm<sup>3</sup>)



Dimensions of PSU-V-OEM power supply  
(107×47×39mm<sup>3</sup>, 100-240VAC, TTL 30kHz and Analog 0-5V)



Dimensions of PSU-I-OEM power supply(107×47×38mm<sup>3</sup>, 12VDC, TTL 30kHz and Analog 0-5V)



Dimensions of PSU-V-OEM and PSU-I-OEM power supply with dust cover(110×70×47mm<sup>3</sup>)

