

PGL-FS Series Laser



PGL-FS Series Laser

The laser built-in cooling fan, no additional cooling is required. It is working at AC 100-110V wide voltage supply and made features of uniform power density, high straightness and good stability line beam.

The user can choose from IR, red, green, blue wavelengths depending on the application and material to be inspected.

PGL-FS Series Laser with its industrial-suited design and stable performance reliability works perfectly in collimation, laser medical treatment, scientific experiment, optical instrument, etc.

FEATURES

- Air cooling
- Wide voltage supply(100-240VAC)
- Optical output power up to 2W
- Wavelength from 405-1550nm
- Long lifetime
- Easy operating

APPLICATIONS

- Collimation
- Laser medical treatment
- Scientific experiment
- Optical instrument

SYSTEM SPECIFICATION*

Wavelength	nm	405	450	520	532	635-660	808	830-1550
Wavelength tolerance	nm (typical)	±5	±5	±5	±1	±5	±10	±10
Output power	mW	1-150	1-50	1-50	1-50	1-130	1-100	1-10
Line width	<250mm	40-200μm						
Line width	@1m	<1.0mm						
Line angle		7°, 10°, 15°, 30°, 45°, 50°, 60°, 75°, 90°						
Laser operation mode		CW						
Expected lifetime	hours	10,000						

Other wavelength between 405-1550nm is optional

ELECTRICAL SPECIFICATIONS

Operating voltage	AC 100-240V
Connection	DB9 serial port

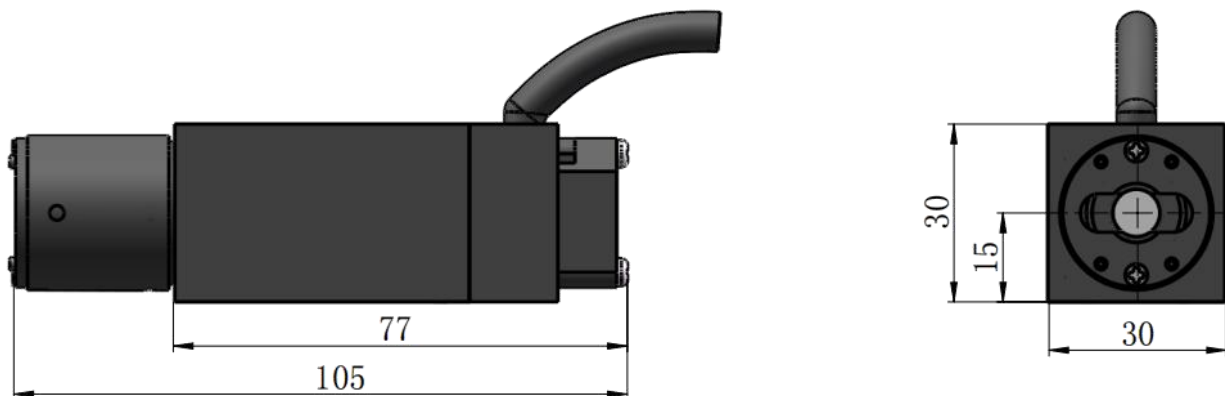
ENVIRONMENTAL CONDITIONS

Operating temperature	°C	-10°C to 50°C
Storage temperature	°C	-20 °C to +80 °C
Humidity	%	< 90 %, non-condensing

MECHANICAL SPECIFICATIONS

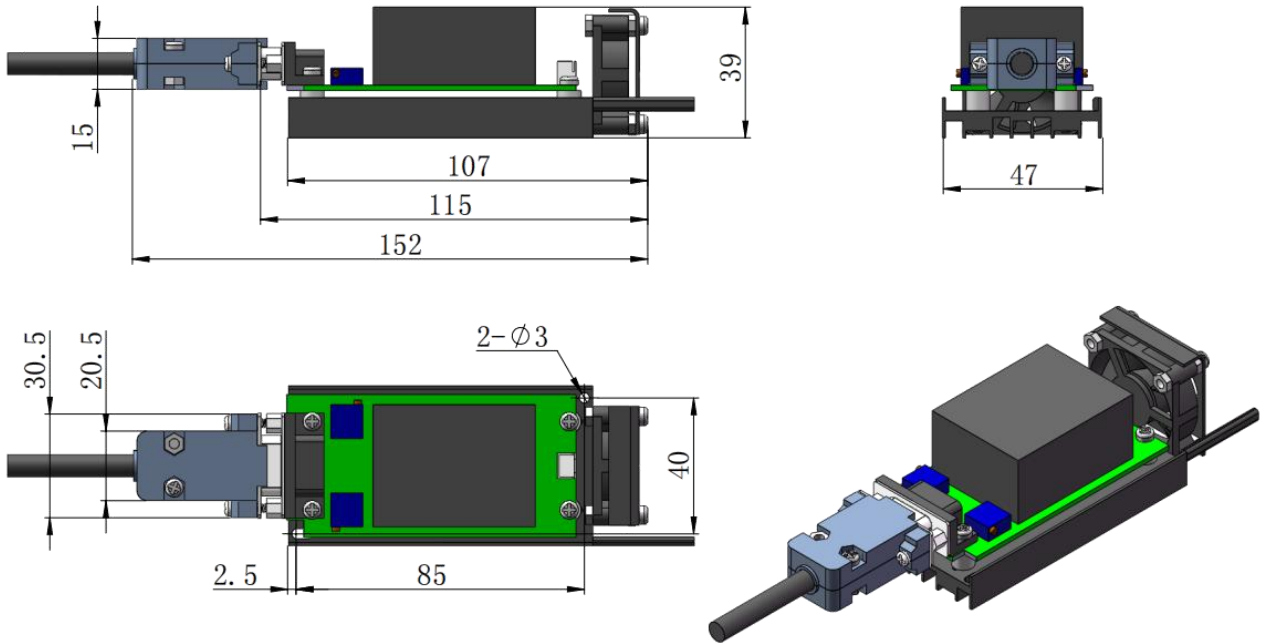
Weight	g	192g
Dimensions	mm	105 × 30 × 30mm ³
Material		Aluminum

Dimensions of laser (mm):

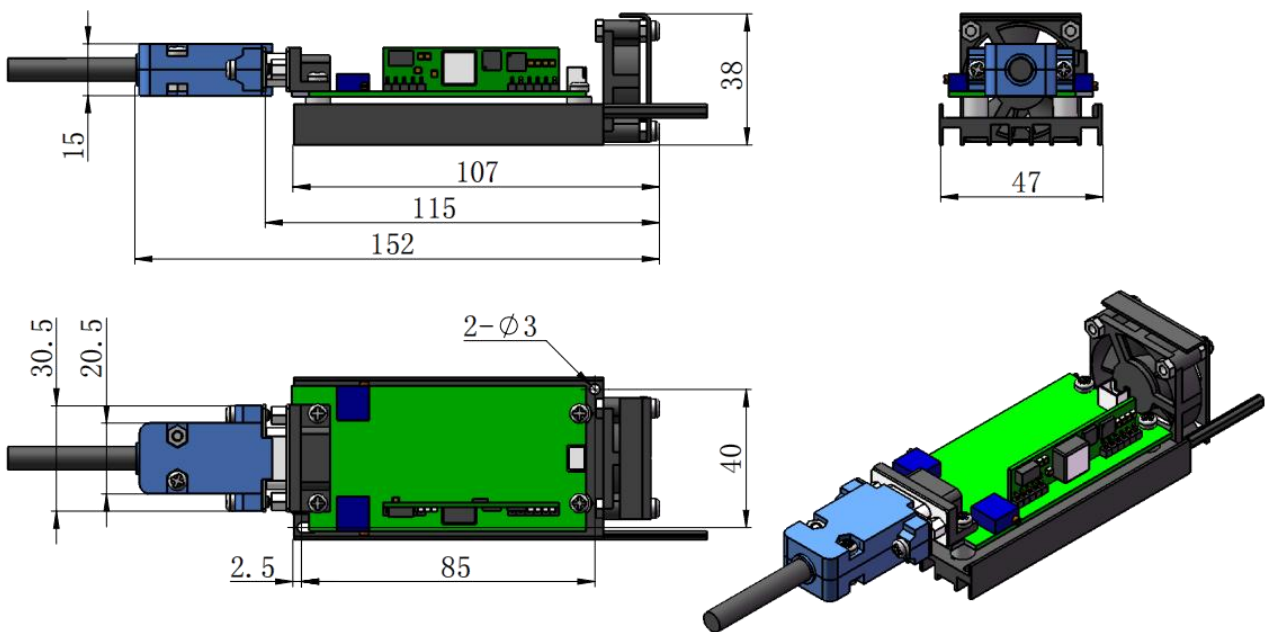


*All testing data under the conditions of temperature 25 ° C.

Dimensions of PSU-V-OEM power supply
(107×47×39mm³, 100-240VAC, TTL 30kHz and Analog 0-5V)



Dimensions of PSU-I-OEM power supply
(107×47×38mm³, 5/12VDC, TTL 30kHz and Analog 0-5V)



Dimensions of PSU-V-OEM and PSU-I-OEM power supply with dust cover(110×70×47mm³)

