

PGL-L1 Series Laser Module



PGL-L1 Series Laser Module

The laser is made features of ultra compact, long lifetime and easy operating.

The user can choose from IR, red, green, or blue wavelengths depending on the application and material to be inspected.

PGL-L1 Series Laser Module with its industrial-suited design and stable performance works perfectly as an integrated module in collimation, laser medical treatment, scientific experiment, optical instrument, etc.

FEATURES

- Optical output power up to 150mW
- Wavelengths from 405 – 1550nm
- Long lifetime
- Easy operating

APPLICATIONS

- Collimation
- Laser medical treatment
- Scientific experiment
- Optical instrument

SYSTEM SPECIFICATIONS*

Wavelength	nm	405	450	520	635-660	808	830-1550
Wavelength tolerance	nm (typical)	±5	±5	±5	±10	±10	±10
Output power	mW	1-150	1-50	1-50	1-130	1-100	1-10
Line width	<250mm	40-200μm					
Line width	@1m	<1mm					
Fan angles		7° 、 10° 、 15° 、 30° 、 45° 、 60° 、 75° 、 90°					
Laser operation mode		CW					
Expected lifetime	hours	10,000					

ELECTRICAL SPECIFICATIONS

Operating voltage	DC 5V(TTL 30kHz or Analog)
Connection	Cable with flying leads

ENVIRONMENTAL CONDITIONS

Operating temperature	°C	-10°C to 45°C
Storage temperature	°C	-20°C to 80°C
Humidity	%	< 90 %, non-condensing
Dissipated heat	W	< 1W

MECHANICAL SPECIFICATIONS

Weight	g	40g
Length	mm	80 mm
Diameter of laser head Ø	mm	18 mm
Material		Aluminum

DIMENSIONS OF LASER MODULE (mm):

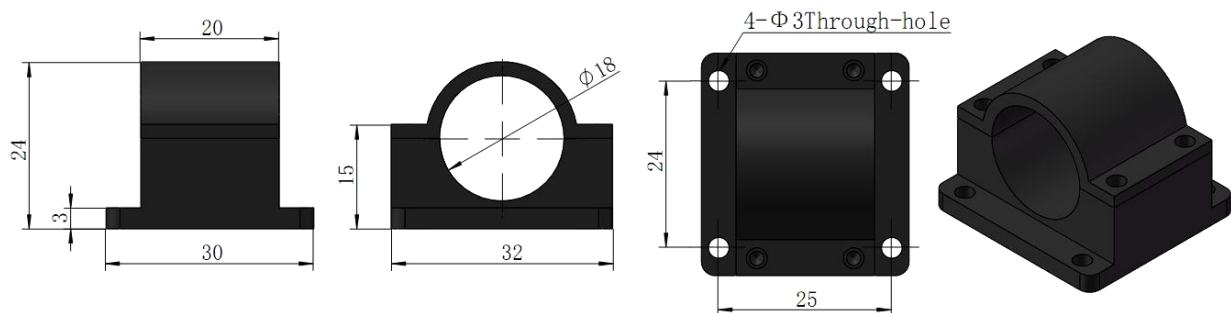


*All testing data under the conditions of temperature 25°C.

Accessories

MODULE MOUNT SPECIFICATIONS

Module mount size	mm	30 x 32 x 24mm
Applicable models size \varnothing	mm	18mm
Through-hole \varnothing	mm	3mm
Through-hole distance	mm	25 x 24mm
Dimensions of module mount (mm):		



This simple mount acts as combined heat sink mount for 18mm diameter diode modules. Loosen the four small set screws and remove the top half of the module mount to put the laser in. The laser is held firmly by tighten the screws. The module mount reserved 4 through-holes for user to fix the the laser on a flat and thermally dissipating surface.

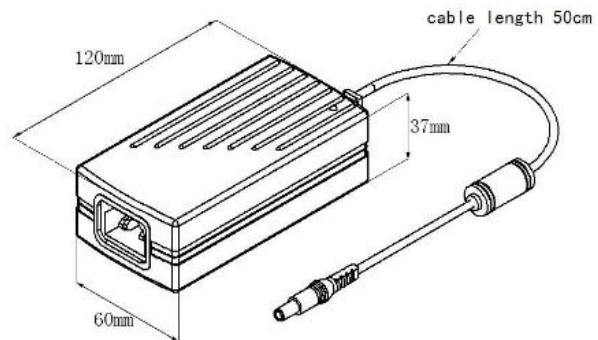
CONNECTOR

USB connector	Suit for access to computer control
Bayonet nut connector	Minimize distractions
Headset connector	Easy connect and disconnect



POWER ADAPTER**

Input		85-264V AC 47/63Hz
Output		DC 5V 5A
Adapter size	mm	120 x 60 x 37mm
Adapter cable length	m	0.5m
Cable connector		Easy connect/disconnect jack
Dimensions of power adapter (mm):		



The Universal Diode Laser Module Power Supply with CE-marked provide a well-regulated 5 VDC. This auto ranging power module can be connected to any 85-264 VAC 47/63 Hz supply. There is an IEC 60320 input socket and a 0.5m output cable terminated with an easy connect/disconnect jack socket. The Headset connector which could also be found in accessories is compatible with the power supply jack.

**CNI provides other types of power adapters to meet customer demand, please contact sales for details.