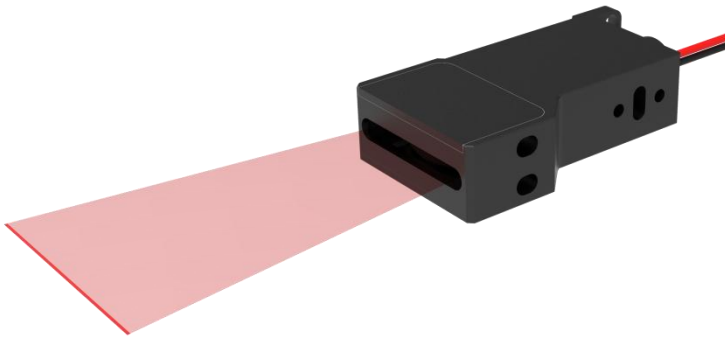


PGL-LP Series Lasers



PGL-LP Series Lasers

The laser module is features of uniform power density, high straightness and good stability line beam.

The user can choose from red, green, or blue wavelengths depending on the application and material to be inspected.

PGL-LP Series Diode Lasers with its industrial-suited design and stable performance works perfectly as an integrated module in collimation, laser medical treatment, scientific experiment, optical instrument, etc.

FEATURES

- Ultra compact
- Long lifetime
- Easy operating

APPLICATIONS

- Collimation
- Laser medical treatment
- Scientific experiment
- Optical instrument



SYSTEM SPECIFICATIONS*

Wavelength	nm	405	450	520	635-660
Wavelength tolerance	nm (typical)	±5	±5	±5	±10
Output power	mW	1-100	1-50	1-50	1-100
Line width	@50mm	<55µm			
Line width	@50±5mm	<70µm			
Line length @ aperture	mm	25			
Line length @ 50mm	mm	35			
Laser operation mode		CW			
Expected lifetime	hours	10,000			

Different focusing distance and line width could be customized

ELECTRICAL SPECIFICATIONS

Operating voltage(external PCB)	DC 5-12V
Connection	Cable with flying leads

TTL MODULATION(external PCB)

Maximum frequency	up to 30kHz		
Signaling levels	VIL_max<+0.9V	VIH_min>+2.2V	VIH_max<+7V

ANALOG MODULATION(external PCB)

Active range(optional)	DC 0-3V	DC 0-5V
------------------------	---------	---------

ENVIRONMENTAL CONDITIONS

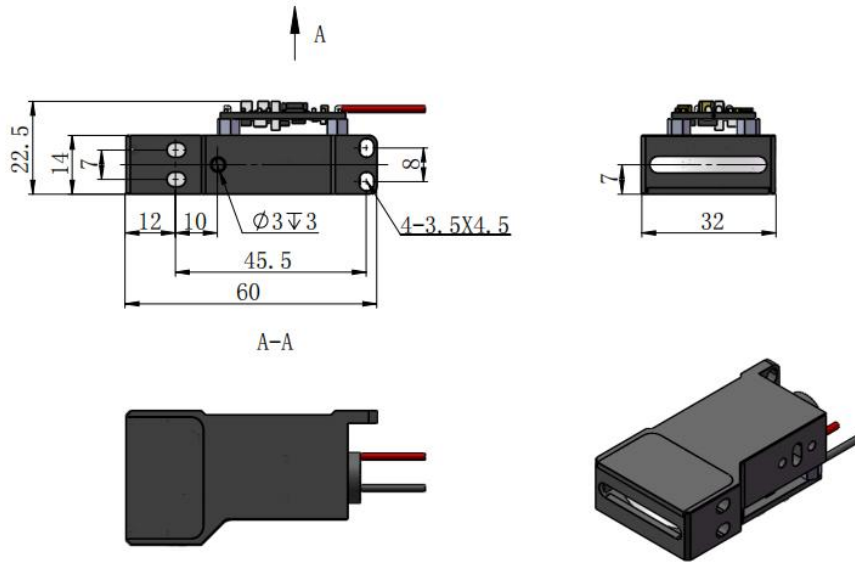
Operating temperature	°C	-10°C to +45°C
Storage temperature	°C	-20°C to +80°C
Humidity	%	< 90 %, non-condensing
Dissipated heat	W	< 1 W

MECHANICAL SPECIFICATIONS

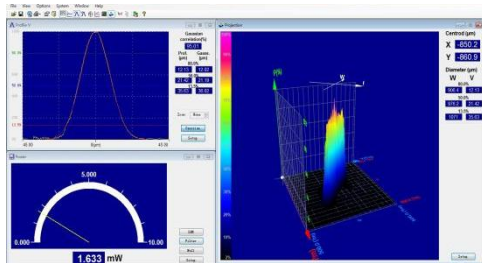
Weight	g	15g
Dimensions of laser head	mm	60×32×14 mm ²
Material	Aluminum	

*All testing data under the conditions of temperature 25°C.

Dimensions of laser (mm):



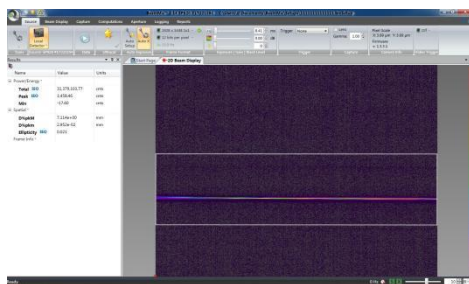
Test data :



Gaussian > 80%



Uniformity > 80%



Excellent line width



Straightness < 0.1%

*All testing data under the conditions of temperature 25°C.