

## PGL-V-H-1064



Diode infrared laser module at 1064nm is made features of ultra compact, long lifetime, low cost and easy operating, which made it be used widely in measurement, communication and spectrum analysis, etc.

### SYSTEM SPECIFICATIONS\*

Wavelength	nm	1064
Wavelength tolerance	nm	±1
Output power	mW	1-800
Power stability(rms, over 4 hours)		<20%, <10%, <5%
Operating mode		CW
Transverse mode		TEM <sub>00</sub>
Beam diameter at the aperture(1/e <sup>2</sup> )	mm	~1.5
Beam divergence, full angle	mrad	<1.2
Warm-up time	minutes	<10
Beam height from base plate	mm	15
Expected lifetime	hours	10,000
Warranty	months	6

### ELECTRICAL SPECIFICATIONS

Operating voltage(PSU-V-OEM)	100-240VAC (TTL10kHz and Analog 0-5V)
Operating voltage(PSU-I-OEM)	5/12VDC (TTL10kHz and Analog 0-5V)
Connection	9 pin connector

### ENVIRONMENTAL CONDITIONS

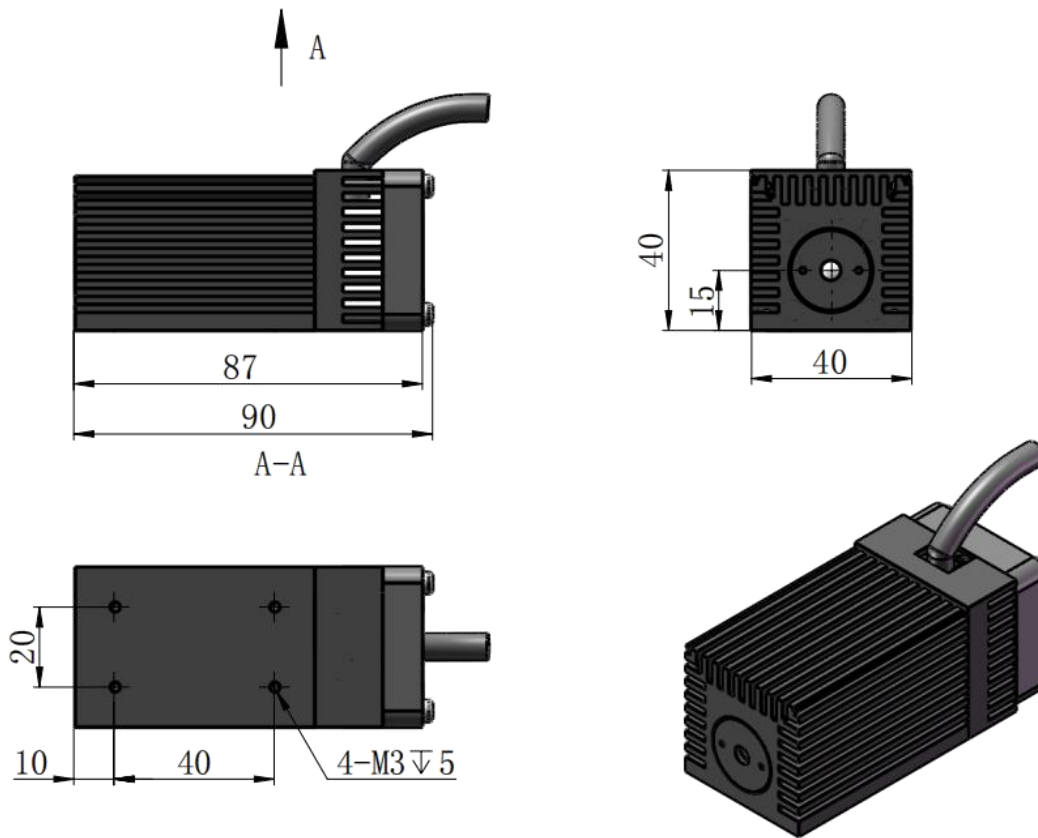
Operating temperature	10°C to 40°C
Storage temperature	-20°C to 80°C
Humidity	< 90%, non-condensing

### MECHANICAL SPECIFICATIONS

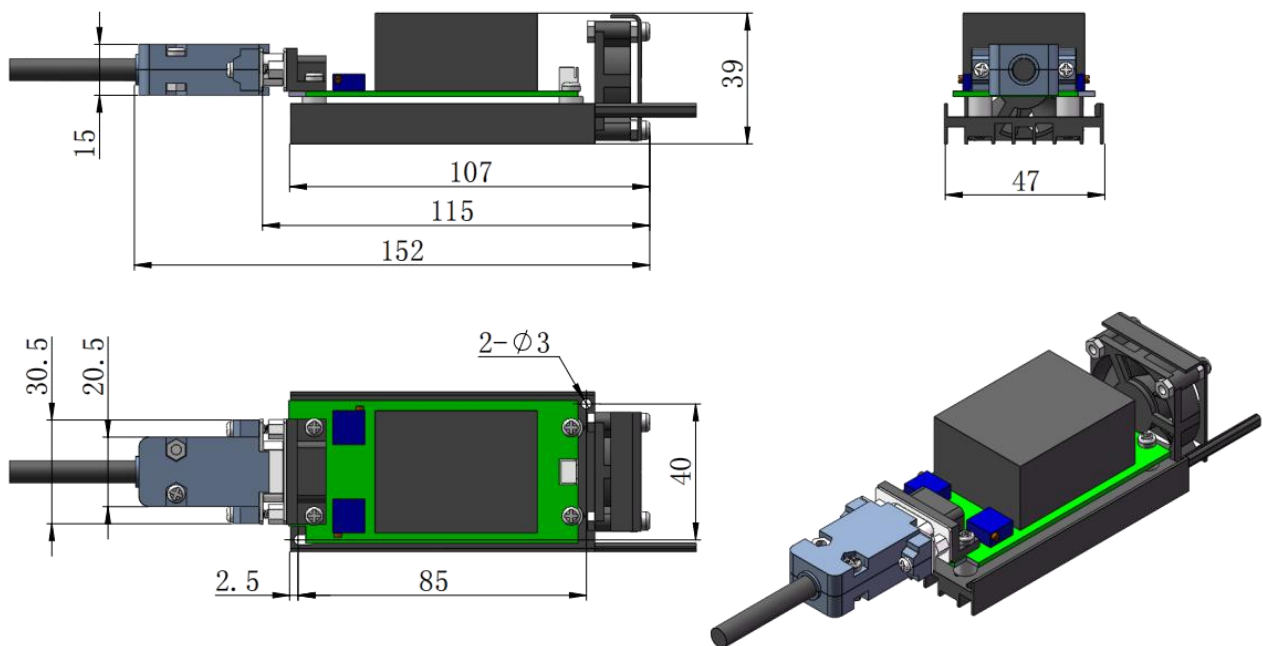
Dimensions of laser head	90(L)×40(W)×40(H)mm <sup>3</sup>
Material	Aluminum

\*All testing data under the conditions of temperature 25°C.

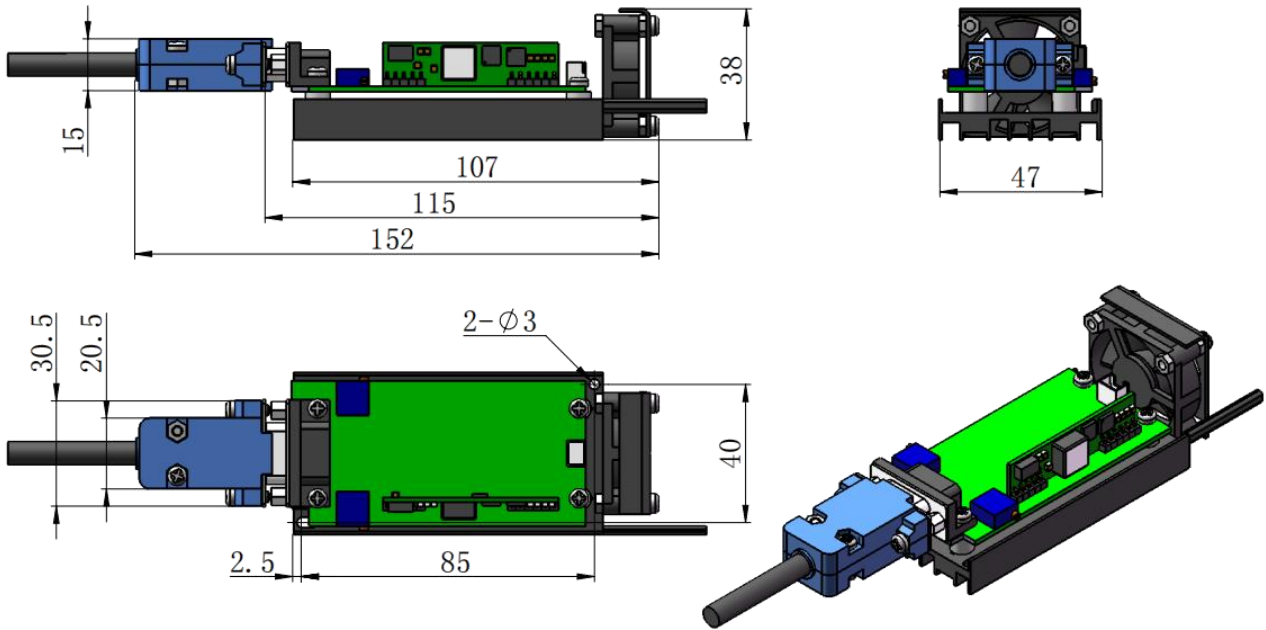
Dimensions of laser head(90×40×40mm<sup>3</sup>)



Dimensions of PSU-V-OEM power supply  
(107×47×39mm<sup>3</sup>, 100-240VAC, TTL 10kHz and Analog 0-5V)



Dimensions of PSU-I-OEM power supply(107×47×38mm<sup>3</sup>, 5/12VDC, TTL 10kHz and Analog 0-5V)



Dimensions of PSU-V-OEM and PSU-I-OEM power supply with dust cover(110×70×47mm<sup>3</sup>)

