

**PS-M Series/1~800nJ/ 1~800mW**

### RAMAN PICOSECOND PULSED LASER AT 280~660nm

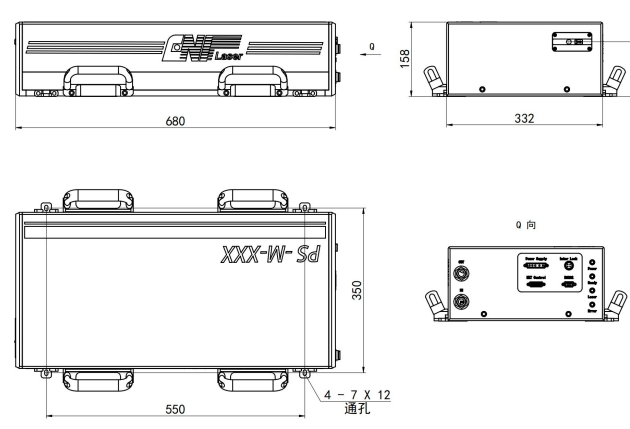
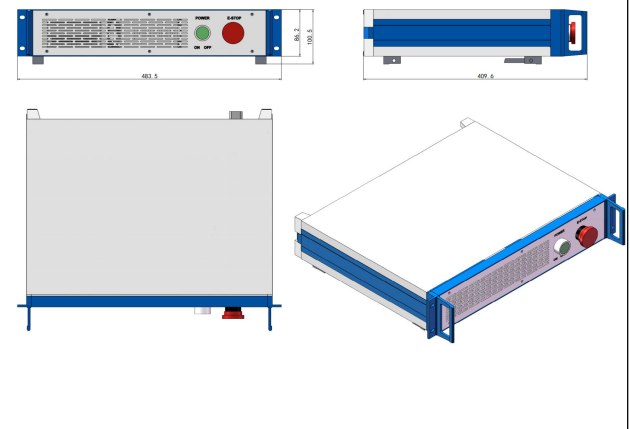
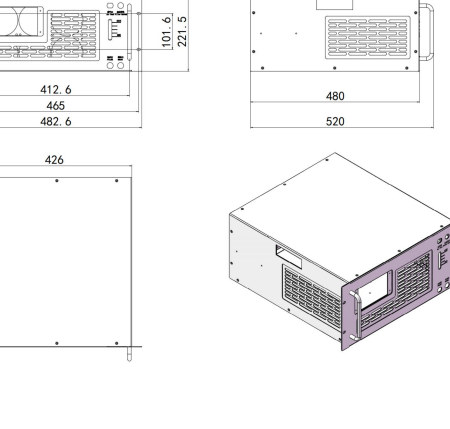
Raman picosecond pulsed laser at 280~660nm is made features of short pulse duration, high repetition rate and high average power, which is used industrial processing, physics experiment, etc.



#### SPECIFICATIONS

Wavelength (nm)	280±1	295±1	310±1	330±1
Operating mode	Mode-locked/Raman			
Average power (W)	40mW (40mW@1MHz)	50mW (50mW@1MHz)	40mW (40mW@1MHz)	30mW (30mW@1MHz)
Single pulse energy (nJ)	40nJ(40nJ @1MHz)	50nJ(50nJ @1MHz)	40nJ(40nJ @1MHz)	30nJ(30nJ @1MHz)
Rep. rate (kHz)	500kHz-1000kHz	500kHz-1000kHz	500kHz-1000kHz	500kHz-1000kHz
Pulse duration (ps)	10ps@1MHz,40mW	10ps@1MHz,50mW	10ps@1MHz,40mW	10ps@1MHz,30mW
Peak power (kW)	4kW @1MHz	5kW @1MHz	4kW @1MHz	3kW @1MHz
Power stability (rms, over 4 hours)	<3%			
Beam divergence, full angle (mrad)	<1			<2
Beam diameter at the aperture (1/e <sup>2</sup> ,mm)	~3.0			
Beam height from base plate (mm)	116			
Cooled method	Water cooled			
Operating temperature (°C)	15~35			
Power supply (220/110VAC)	On request			

Wavelength (nm)	560±1	590±1	620±1	660±1
Operating mode	Mode-locked/Raman			
Average power (W)	800mW (800mW@1MHz)	600mW (600mW@1MHz)	500mW (500mW@1MHz)	300mW (300mW@1MHz)
Single pulse energy (nJ)	800nJ(800nJ @1MHz)	600nJ(600nJ @1MHz)	500nJ(500nJ @1MHz)	300nJ(300nJ @1MHz)
Rep. rate (kHz)	500kHz-1000kHz	500kHz-1000kHz	500kHz-1000kHz	500kHz-1000kHz
Pulse duration (ps)	10ps@1MHz,800mW.	10ps@1MHz,600mW.	10ps@1MHz,500mW.	10ps@1MHz,300mW.
Peak power (kW)	80kW @1MHz	60kW @1MHz	50kW @1MHz	30kW @1MHz
Power stability (rms, over 4 hours)	<3%			
Beam divergence, full angle (mrad)	<1			
Beam diameter at the aperture (1/e <sup>2</sup> ,mm)	~3.0			
Beam height from base plate (mm)	116			
Cooled method	Water cooled			
Operating temperature (°C)	15~35			
Power supply (220/110VAC)	On request			
Expected lifetime (hours)	10000			

<p><b>PS-M-280~660</b></p>  <p style="text-align: center;"><b>680(L)×332(W)×158(H) mm<sup>3</sup>, 40 kg</b></p>	<p><b>Power supply</b></p>  <p style="text-align: center;"><b>483.5 (L) ×409.6(W) ×100.5(H) mm<sup>3</sup>, 4.5 kg</b></p>	<p><b>Water Chiller</b></p>  <p style="text-align: center;"><b>520(L)×482.6(W)×221.5(H) mm<sup>3</sup>, 22 kg</b></p>
--	---	---