

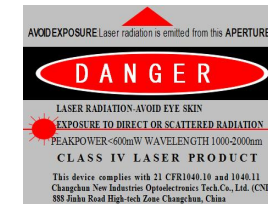
PS-R-1030/1~300W

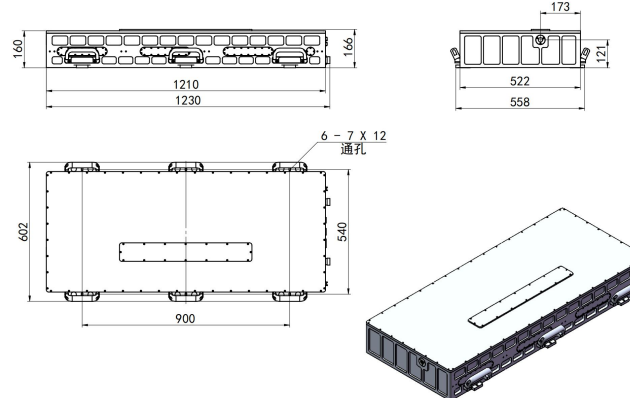
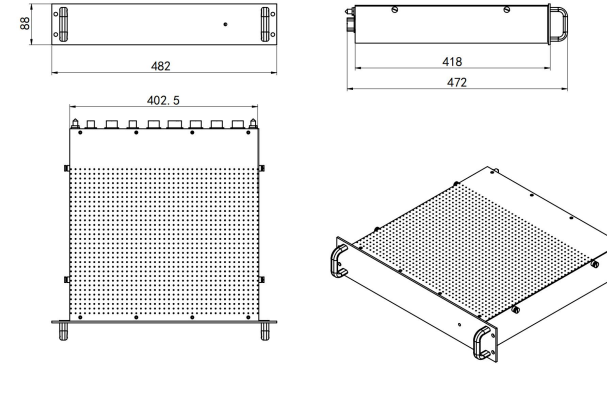
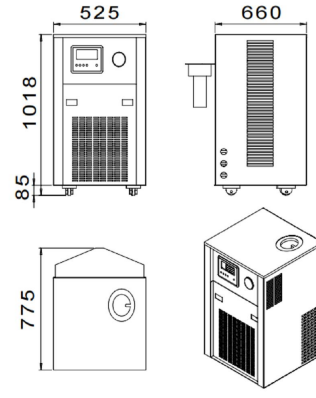
**PICOSECOND PULSED
LASER AT 1030nm**

Picosecond pulsed laser at 1030nm is made features of short pulse duration, high repetition rate and good beam quality, which is used in glass marking, sapphire marking, ceramic cutting, semiconductor cutting, solar panels coating, film scribing, etc.

SPECIFICATIONS

Wavelength (nm)	1030 ± 1
Average power (W)	1-300 (300W@20MHz)
Single pulse energy (mJ)	1-15 (15uJ @20MHz)
Rep. rate (MHz)	20
Pulse duration (ps)	50 @20MHz, 300W.
Peak power (kW)	300 @20MHz
Power stability (rms, over 4 hours)	<3%
Beam divergence, full angle (mrad)	<1
Beam diameter at the aperture (1/e ² , mm)	~3.0
Beam height from base plate (mm)	121
Cooled method	Water cooled
Operating temperature (°C)	15~35
Power supply (220/110VAC)	On request
Expected lifetime (hours)	10000
Warranty period	1 year



PS-R-1030	Power supply*2	Water Chiller
 <p>1230 (L) × 540 (W) × 166 (H) mm³, 48kg</p>	 <p>482 (L) × 472 (W) × 88 (H) mm³, 4.5 kg</p>	 <p>775 (L) × 660 (W) × 1103 (H) mm³, 50kg</p>