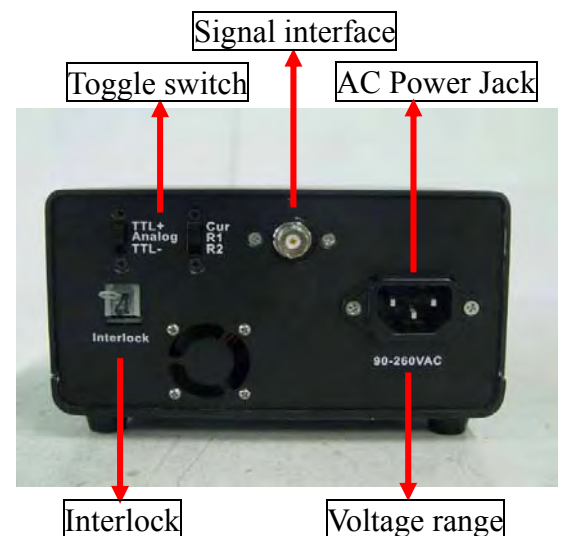
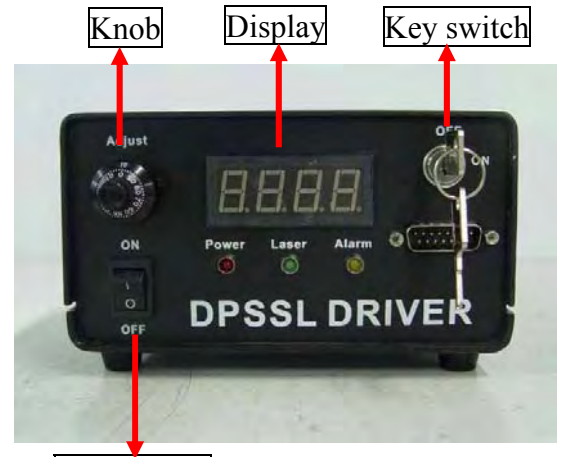


Operation Instruction for CNI Model with PSU-III-LED

Note: The laser only can be operated after the case temperature of the laser system return to the room temperature to avoid the damage of the big temperature range.

1. Product features

- 1.1. Place the laser head which has the same serial number with the power supply on a stable and better heat-conducting plate, such as metal plate.
- 1.2. Check the main power and make sure it is in “OFF” state.
- 1.3. Check the key switch and make sure it is in “OFF” state.
- 1.4. Lock: It is the lock of the power control knob. Unlock position see figure.
Knob: The knob is fixed on the maximum current position as factory default. Please unlock it before adjusting the knob.
Turn the knob counter-clockwise, the output power is decreased.
- 1.5. Display: it shows the current as factory default.
- 1.6. Make sure your local voltage is in the range showed at the back panel.
- 1.7. Interlock: After pulling it out, the laser system will stop working. You need to install the interlock to restart the laser.
- 1.8. TTL or Analogue external control signal interface.



1.9. Toggle switch:

1.9.1. Toggle switch for modulation

TTL:

Toggle switch at “TTL+”: It works under standard TTL function. The laser is on when input high level, and the laser is off when input low level.

Toggle switch at “TTL-”: The laser is off when input high level, and the laser is on when input low level.

Analog:

Laser system works under analog function.

1.9.2. Toggle switch for display

Toggle switch at “Cur”: display at front panel shows the current of diode (A) (factory default).

Toggle switch at “R1.”: display at front panel shows the value of thermal resistance for diode (KΩ).

Toggle switch at “R2.”: display at front panel shows the thermal resistance value of crystal (KΩ).

Note: Make sure the key switch is on “off” state before changing the toggle switch.



2. Operation

2.1. Attach the laser head to the connector of the power supply. Please fasten the screws of the connector.

2.2. Connect the power cord of the power supply to AC Power Jack.

2.3. Remove the label at aperture. Open the shutter if it has.

2.4. Switch on the main power of the power supply. The red LED - “Power” is on.

2.5. Turn on the key switch at “ON” state. The laser starts to work after about 5 seconds delay. The green LED -“Laser” is on. The warming up time is about 15minutes.

2.6. Only for unexpected accident occurs, the yellow LED-“Alarm” will be on. That means the laser system works in abnormal state. Please switch off the mains power. Please reset the mains power and key switch after a few minutes, then to restart the laser system again.

2.7. TTL and analogue modulation are optional. As for the TTL or analogue instruction, please refer to the “Notes for TTL Modulation” or “Notes for Analog Modulation “.

Note: For analog function, you need to input 0-5 VDC input voltage.

2.8. Closing the laser system: Turn off the key switch first, and then switch off the mains power of the power supply.

2.9. To prevent optic path from dust, you should close the shutter or replace aperture label.

3. Warranty

- 3.1. The warranty is one year from the shipping date.
- 3.2. This warranty will not apply to those products which have been.
 - 3.2.1. Repaired or altered other than in accordance with the terms of this Agreement.
 - 3.2.2. Abused, misused, improper handling in use, or storage, or used in an unauthorized or improper manner or without following written procedures supplied by manufacturer.
 - 3.2.3. Original identification markings or labels have been removed, defaced or altered.
 - 3.2.4. Any other claims not arising directly from material defects in material or workmanship.

4. Laser safety

- 4.1. All lasers and laser light show systems have intrinsic dangers - even laser pointers! Observation of basic laser safety rules and the specific safety regulations of the jurisdiction in which you operate are essential.
- 4.2. Safety with high powered lasers is a critical issue that cannot be overlooked. Despite their brilliant beams and ability to burn, high power laser pointers and portable lasers are only a danger to your eyes. The danger that lasers represent to your eyes though is very serious. The visual receptors in your eyes are part of your central nervous system which means if your eyes are damaged, they do not heal or recover.
- 4.3. As far as power output, laser pointers and portable lasers do not release that much power. Especially not when compared to a normal 75W or 100W light globe. What makes the light from lasers so dangerous is that it has two unique properties.
 - 4.3.1. Coherent and focused. The energy is focused on a very small area similar to the way a magnifying glass focuses the sun.
 - 4.3.2. Collimated. The light does not spread out from a laser; it stays in a focused narrow beam that makes lasers almost as dangerous at a distance as close up.

This not to say you should be afraid of lasers or avoid using them. What you should do how ever is to treat lasers with respect, be aware of their dangers and follow some basic guidelines to ensure your safety.