

YL-I-520 20~70W

DIODE LASER AT 520nm

Diode laser 520nm is made features of ultra compact, long lifetime, low cost and easy operating. It's easy to be installed in customer's equipment.

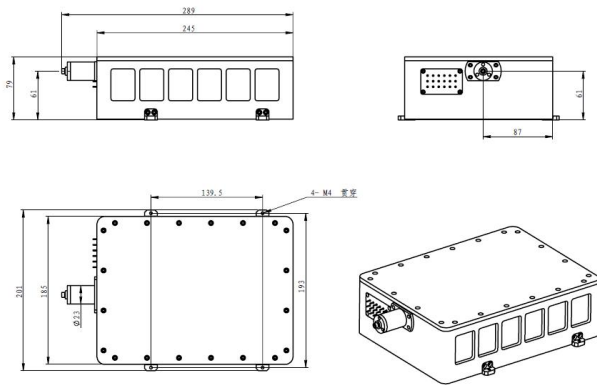


SPECIFICATIONS

Wavelength (nm)	520±5
Operating mode	CW
Output power (W) @ after 400um fiber	20~70
Fiber Core Diameter (um)	200, 400, 600
Fiber Connector	SMA905/ FC
Numerical Aperture (NA)	0.22
Fiber length (m)	1 (Fiber length can be customized)
Power stability (rms, over 4 hours)	<1%
Cooled method	Water cooled
Warm-up time (minutes)	<5
Operating temperature (°C)	25+/-3
Expected lifetime (hours)	10000
Warranty	1 year

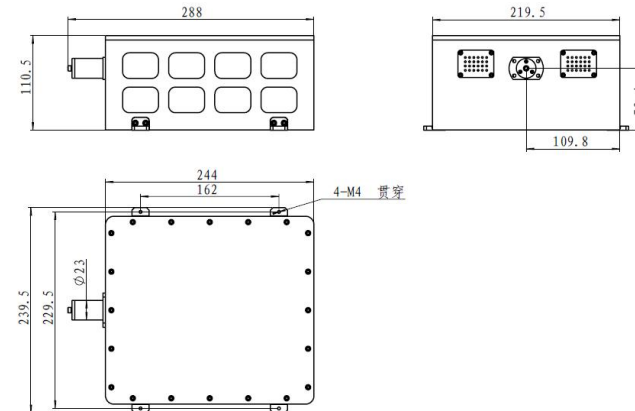


Dimensions of Laser head (Optional)



20-40W

289 (L)*201 (W)*89 (H) mm³



41-70W

288 (L)*239.5 (W)*110.5 (H) mm³