

YL-I-638 20~40W

### DIODE LASER AT 638nm

Diode laser 638nm is made features of ultra compact, long lifetime, low cost and easy operating. It's easy to be installed in customer's equipment.

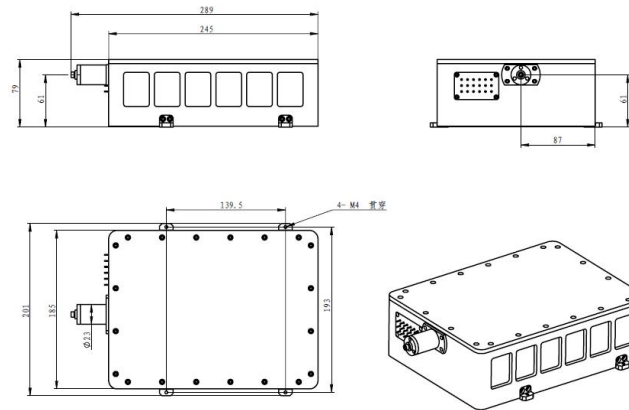


#### SPECIFICATIONS

Wavelength (nm)	638±5
Operating mode	CW
Output power (W) @ after 400um fiber	20~40
Fiber Core Diameter (um)	200, 400, 600
Fiber Connector	SMA905/ FC
Numerical Aperture (NA)	0.22
Fiber length (m)	1 (Fiber length can be customized )
Power stability (rms, over 4 hours)	<1%
Cooled method	Water cooled
Warm-up time (minutes)	<5
Operating temperature (°C)	25+/-3
Expected lifetime (hours)	10000
Warranty	1 year



#### Dimensions of Laser head



289 (L)\*201 (W)\*89 (H) mm<sup>3</sup>