

EO-1064-P-Subnano/1mJ

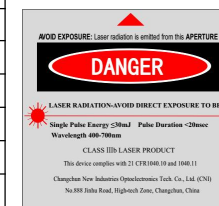
**HIGH ENERGY DIODE
PUMPED ALL-SOLID-STATE
Q-SWITCHED LASER**

High energy diode pumped all solid state Q-switched laser at 1064nm has the features of high single pulse energy, short pulse duration, and high peak power, which is widely used in Mi Radar, LIBS, non-linear optics and so on.

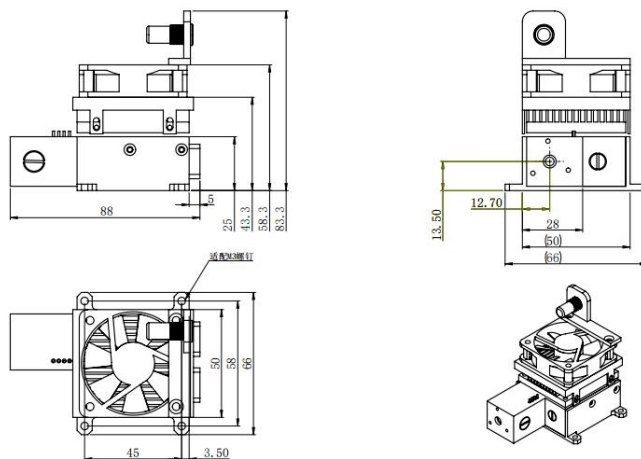


SPECIFICATIONS

Wavelength (nm)	1064±1
Operating mode	Q-switched: PM (Passive Modulation)
Single pulse energy (mJ)	1
Pulse duration (ns)	<1
Rep. rate (kHz)	500Hz, 1kHz, 2kHz optional, EXT
Energy stability (rms)	<5%, <4%
Beam divergence, full angle (mrad)	<3
Beam diameter (mm)	~3
Warm-up time (minutes)	<15
Beam height from base plate (mm)	13.5
Cooled method	Conduction cooled
Operating temperature (°C)	15~30
Power supply (24V DC)	PSU-DPS-Subnano
Expected lifetime (pulses)	10 ⁹
Warranty period	1 year

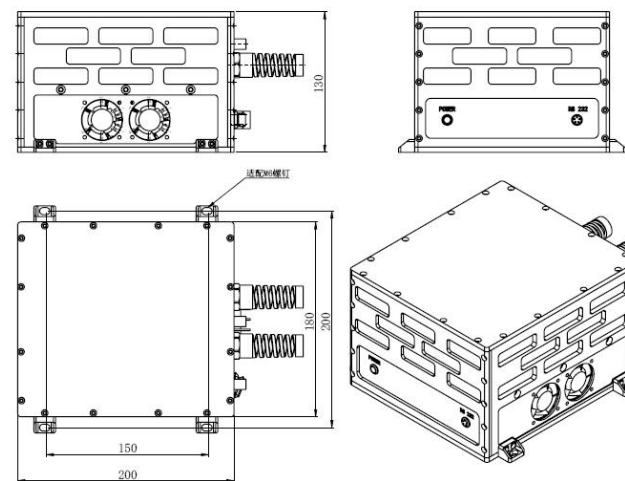


EO-1064-P-Subnano



88(L)×66(W)×83.3(H)mm³, 1kg

PSU-DPS-P-Subnano



200 (L) × 200(W) × 130(H) mm³, 6 kg